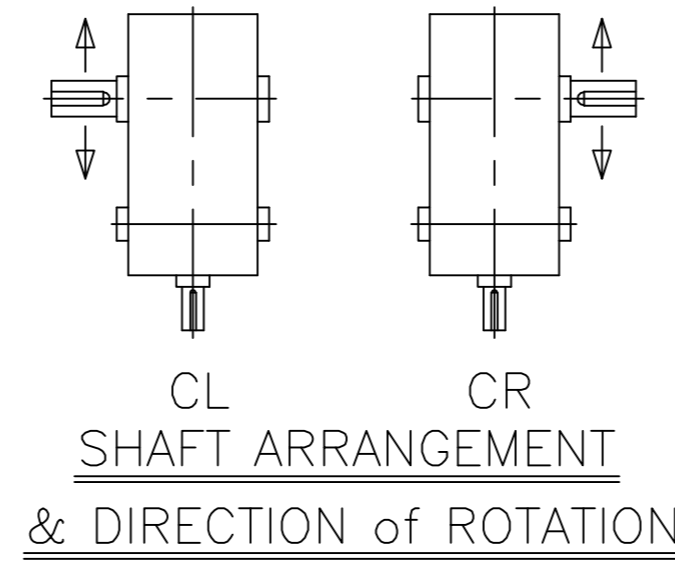
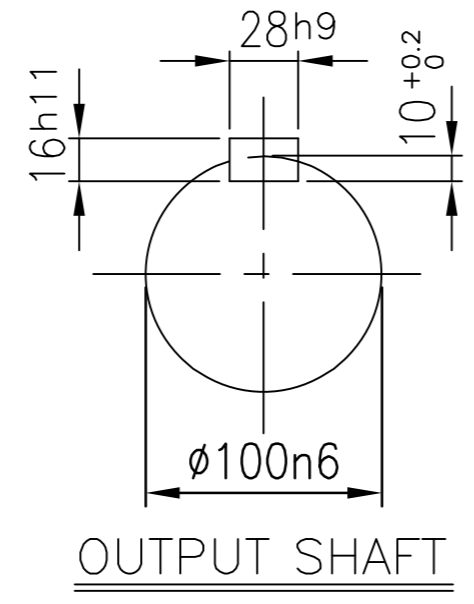
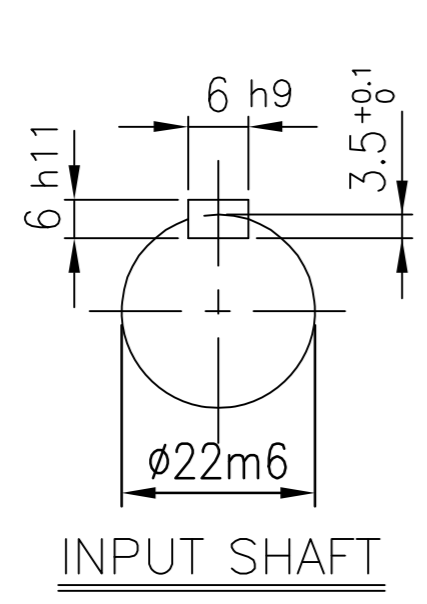
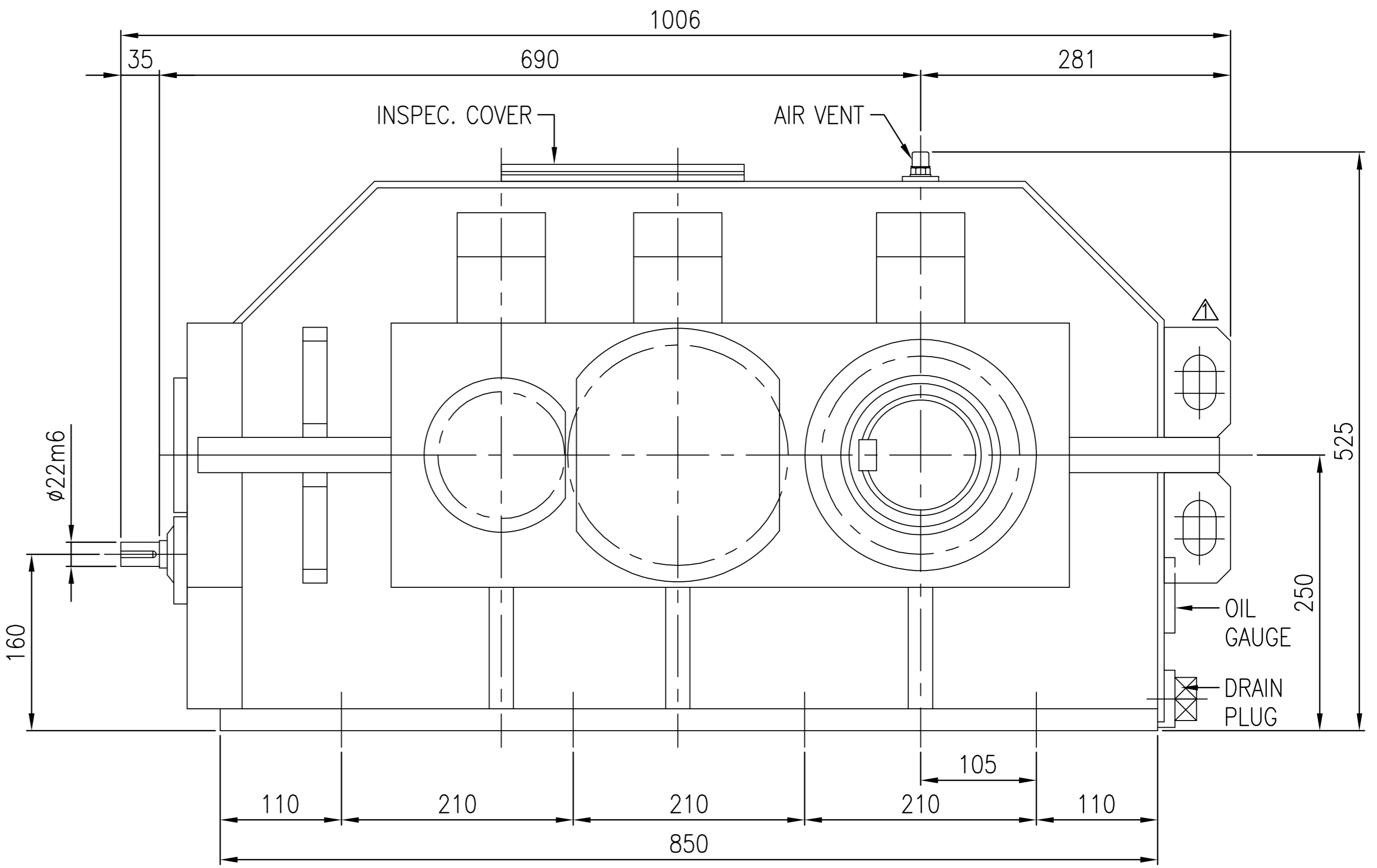
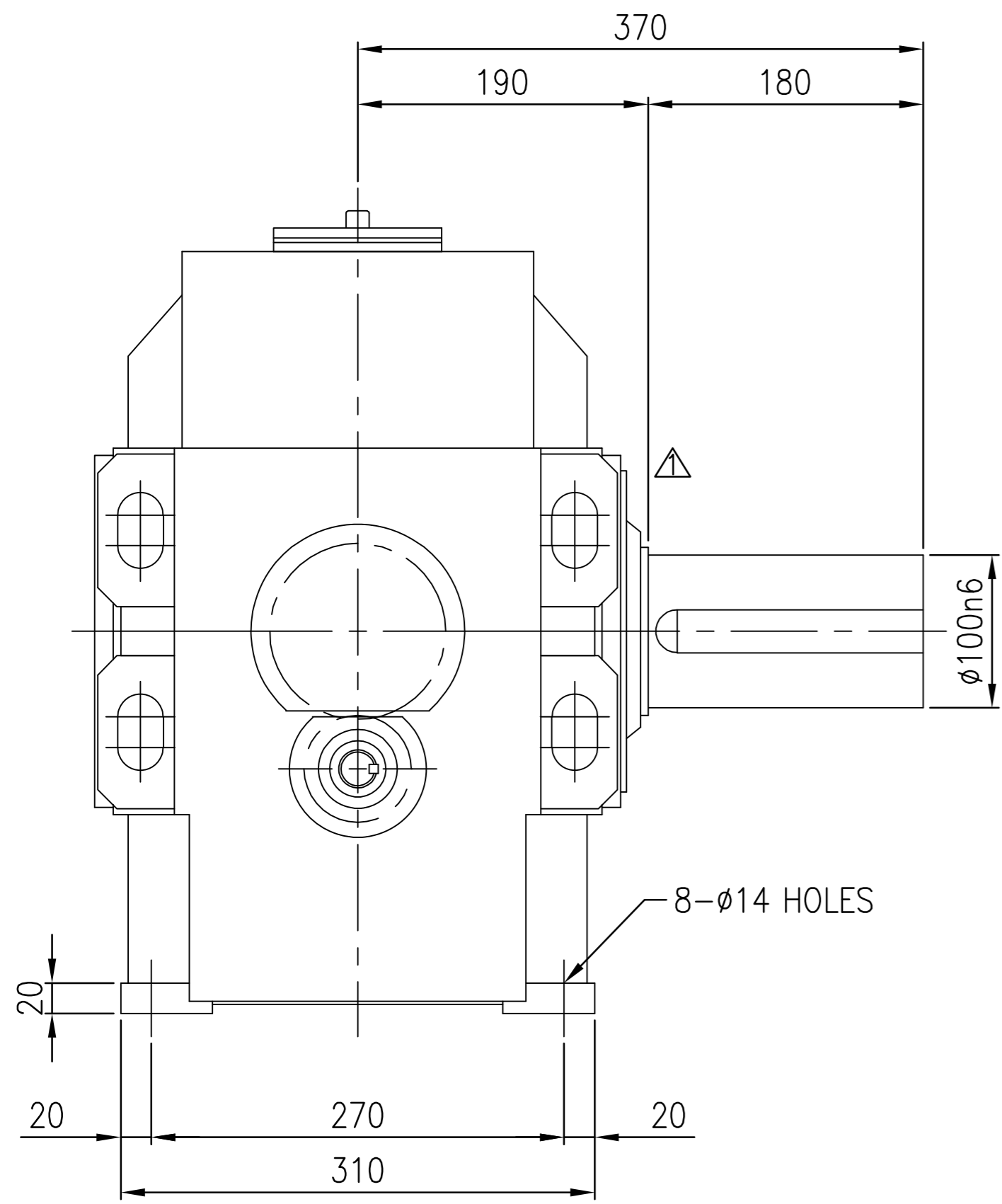


No.	NAME	MATERIAL	DWG/MATL No.	CODE	Q'TY	SIZE	WEIGHT	REMARK
-----	------	----------	--------------	------	------	------	--------	--------



2013.12.11 2013.09.27 No. DATE DESCRIPTION of REVISION DELETED UNNECESSARY DIMENSION CHANGED LIFTING LUG		DWG NAME 기어박스 외형도 DIMENSION DWG No. EK1D000203 DESIGNED: 박명균 CHECKED: 서성민 REVIEWED: 김기동 APPROVED: 김기동 DATE: 2013-09-27 REVISION NO. 02 PROJECTION			
A1(90x40mm) FORM CE-14-0100-4x2 2012.02.06		HYOSUNG SKD22 (i=224~355)		REF. NO. DSKEN644 UNIT: mm SCALE: 1:3.5	