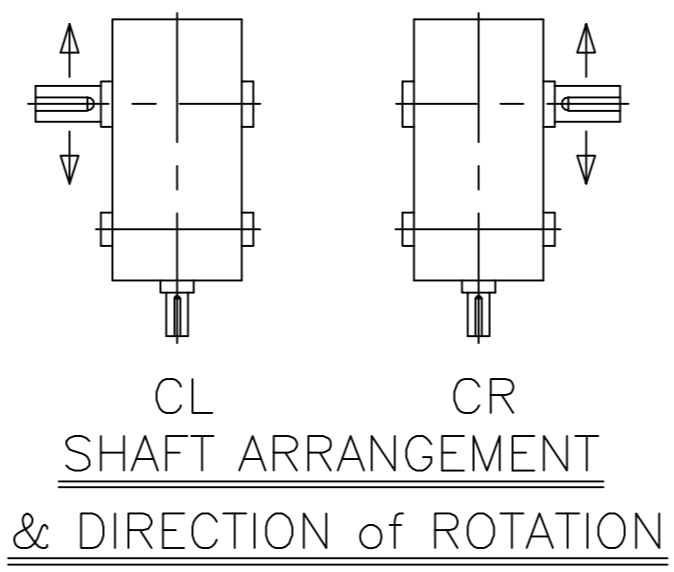
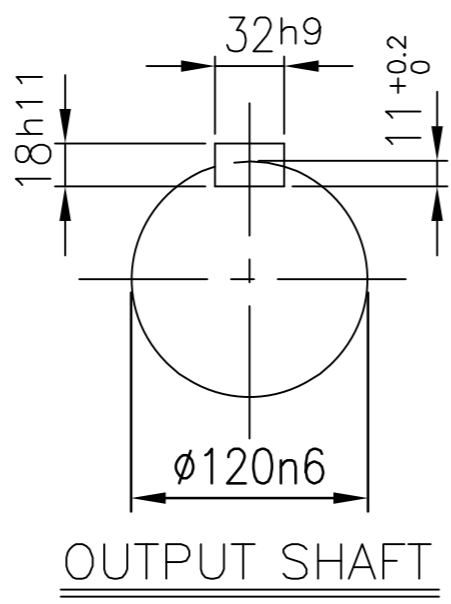
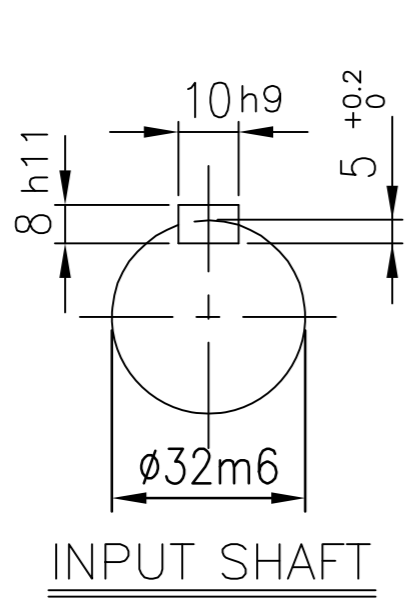
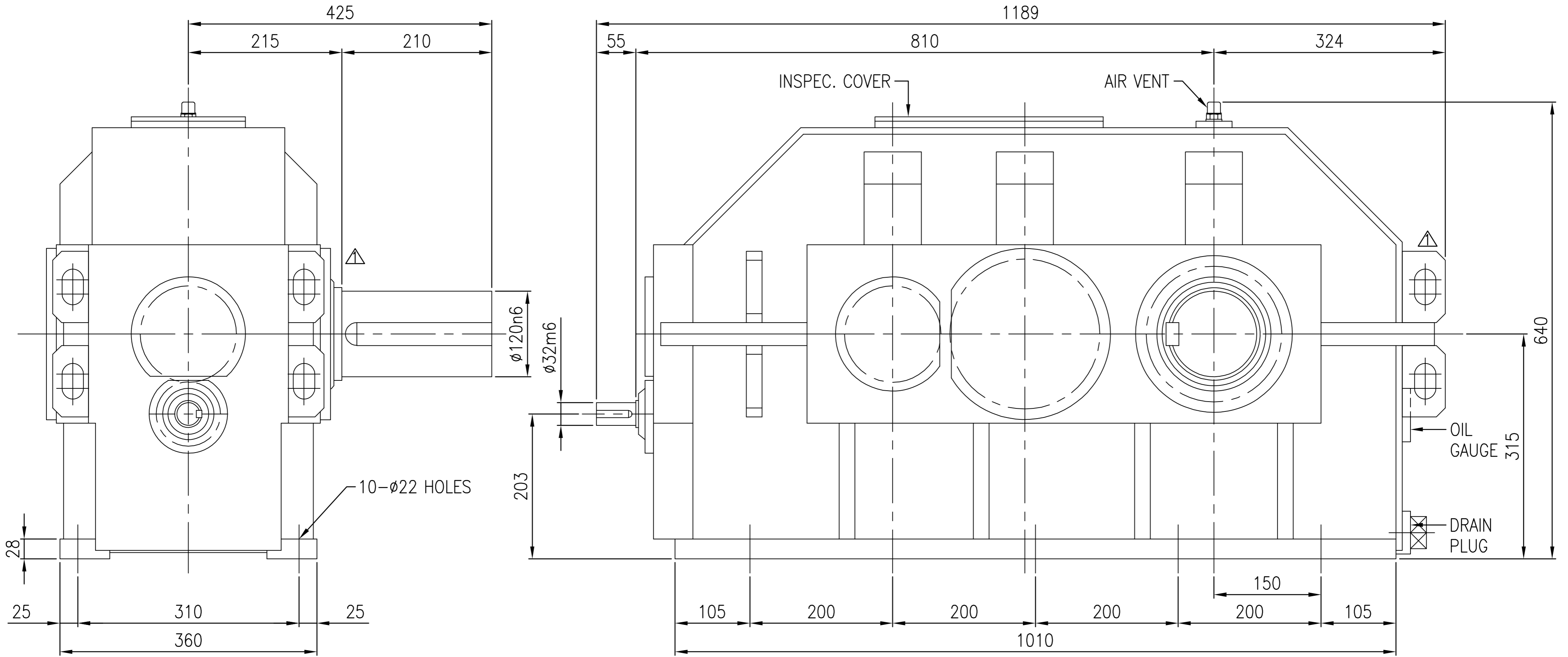


| No. | NAME | MATERIAL | DWG/MATL No. | CODE | Q'TY | SIZE | WEIGHT | REMARK |
|-----|------|----------|--------------|------|------|------|--------|--------|
|-----|------|----------|--------------|------|------|------|--------|--------|



| DWG NAME   |                     | 기어박스 외형도<br>DIMENSION     |          |         |          |          |              |            |
|------------|---------------------|---------------------------|----------|---------|----------|----------|--------------|------------|
| 2013.09.27 | CHANGED LIFTING LUG | DWG No. <b>EK1D000204</b> |          | UNIT    | mm       |          |              |            |
| No.        | DATE                | DESCRIPTION of REVISION   | DESIGNED | CHECKED | REVIEWED | APPROVED | DATE         | 2013-09-27 |
| FORM       | CE-14-0100-4A2      |                           | 박선향      | 서성민     |          | 김기동      | REVISION NO. | 01         |
| DATE       | 2012.02.08          |                           |          |         |          |          | PROJECTION   | ☉          |
| ITEM       |                     | SKD26 (i=80~200)          | REF. NO. |         | DSKEN645 |          | (A)          |            |