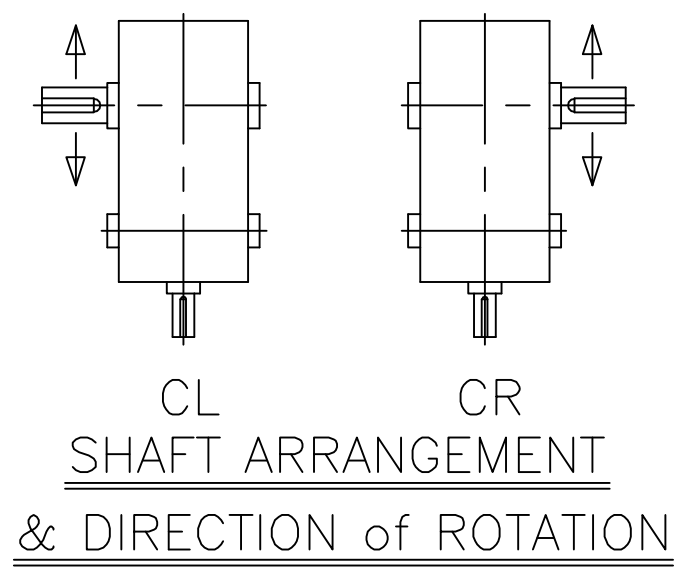
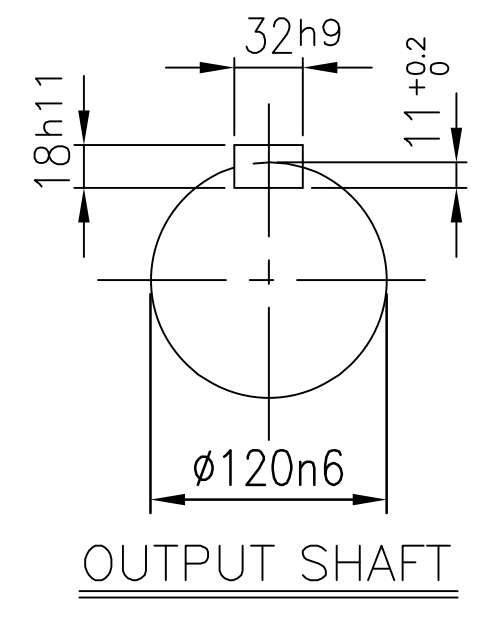
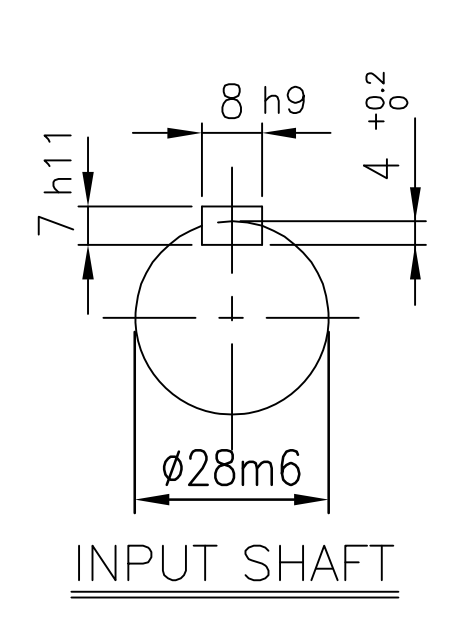
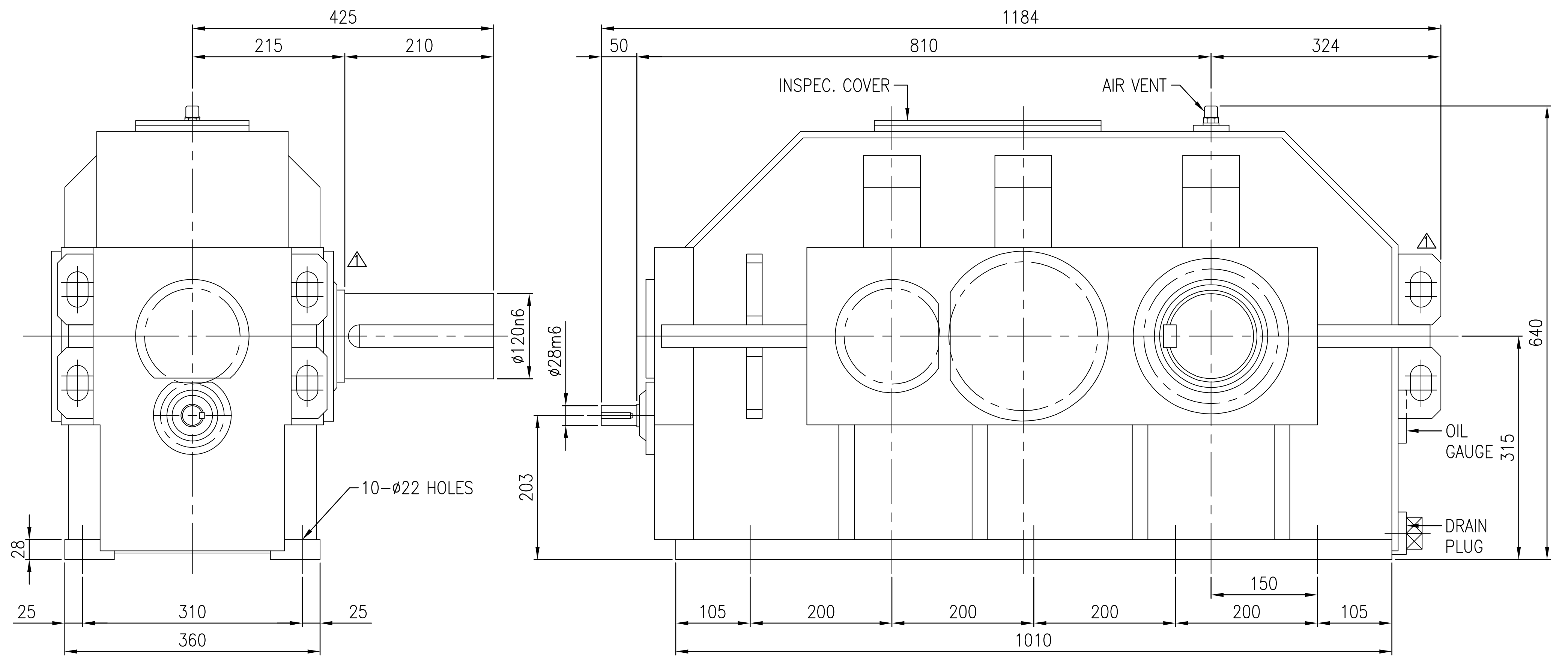


No.	NAME	MATERIAL	DWG/MATL No.	CODE	Q'TY	SIZE	WEIGHT	REMARK
-----	------	----------	--------------	------	------	------	--------	--------



DWG NAME		기어박스 외형도 DIMENSION			
2013.09.27		CHANGED LIFTING LUG		DWG No.	EK1D000205
No.	DATE	DESCRIPTION of REVISION		DESIGNED	CHECKED
1	2013.10.24	박선향		2013.10.24	서성민
FORM		HYOSUNG		REVIEWED	APPROVED
CE-14-0100-442		2012.02.08		2013.10.24	김기동
ITEM		SKD26 (i=224~355)		REVISION NO.	01
		REF. NO.		DSKEN646	