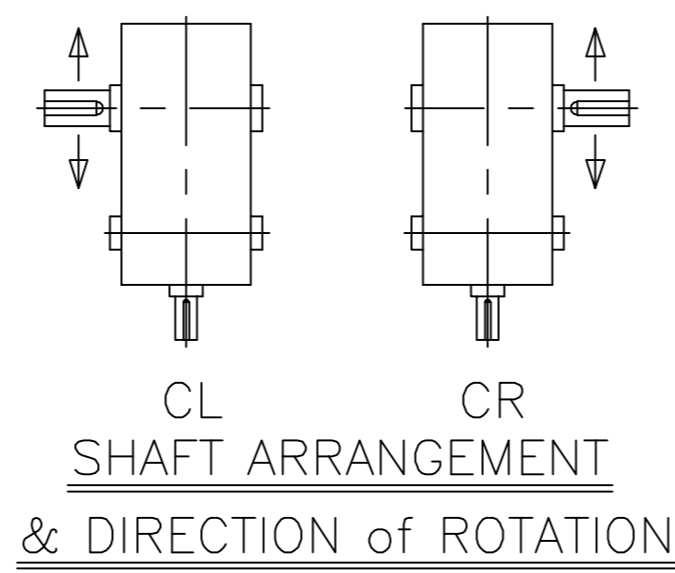
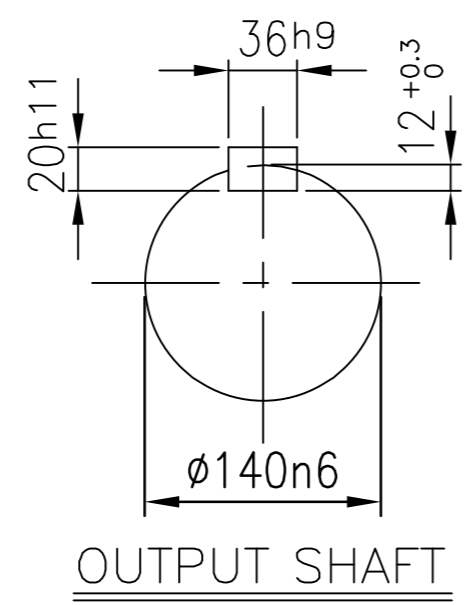
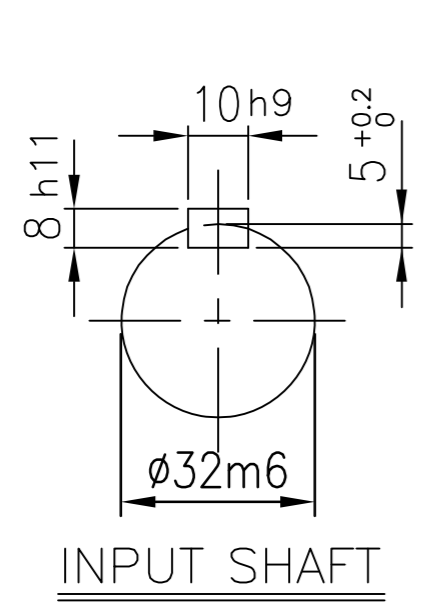
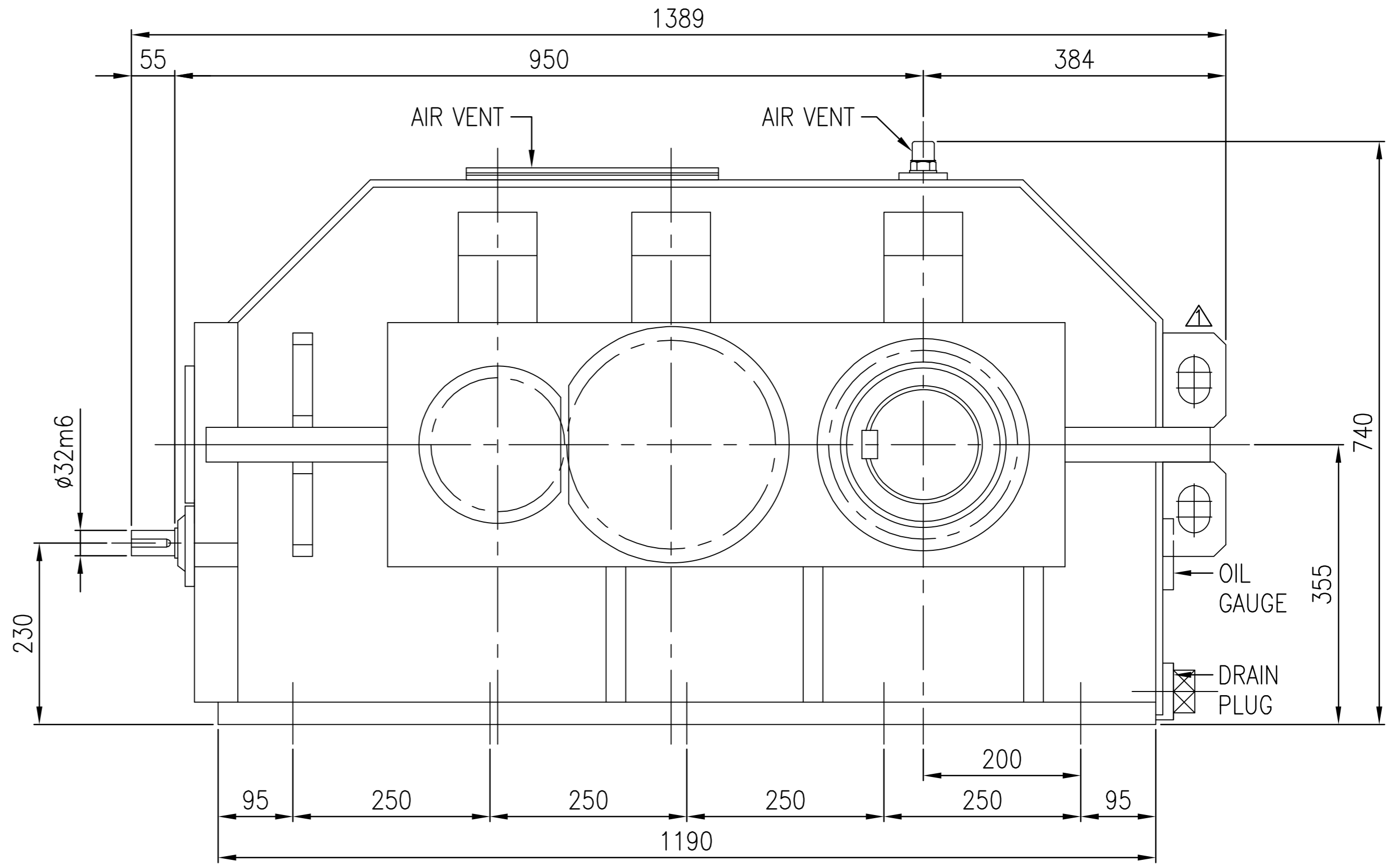
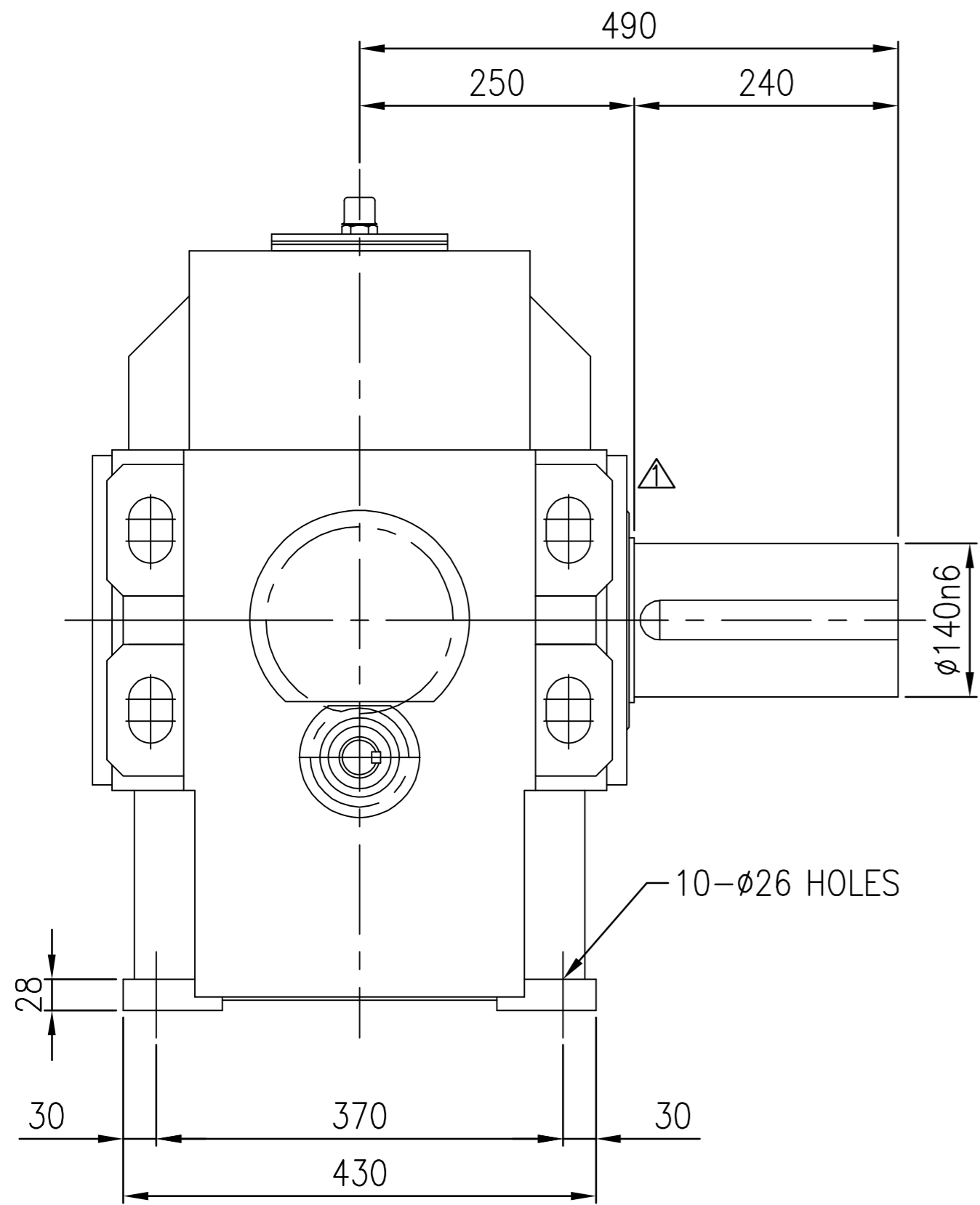


No.	NAME	MATERIAL	DWG/MATL No.	CODE	Q'TY	SIZE	WEIGHT	REMARK
-----	------	----------	--------------	------	------	------	--------	--------



DWG NAME		기어박스 외형도 DIMENSION						
DWG No.		EK1D000206		UNIT	mm			
SCALE		1:4.5						
No.	DATE	DESCRIPTION of REVISION	DESIGNED	CHECKED	REVIEWED	APPROVED	DATE	2013-09-27
FORM		HYOSUNG		2013.10.24	2013.10.24	2013.10.24	REVISION NO.	01
ITEM		SKD32 (i=80~200)		서성민		김기동	PROJECTION	①
REF. NO.		DSKEN647				(A)		