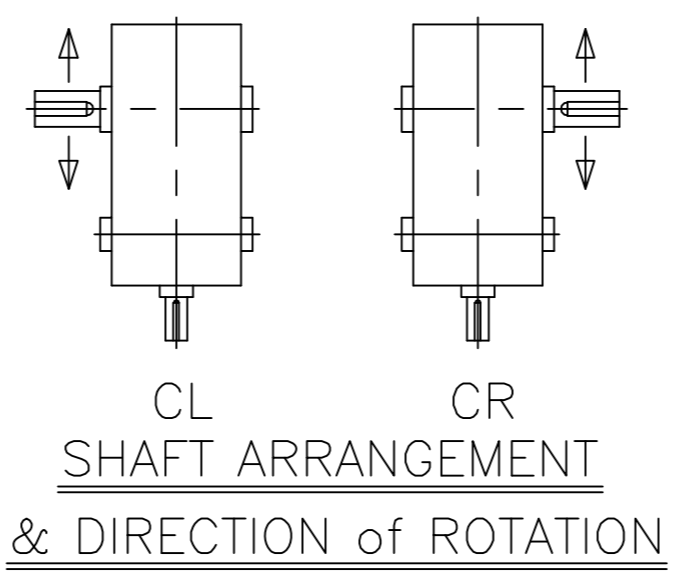
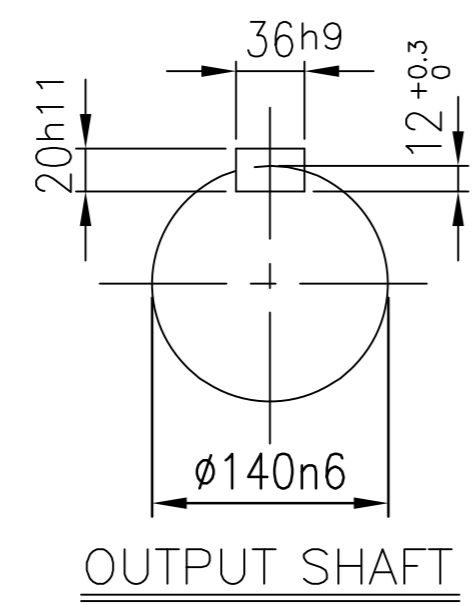
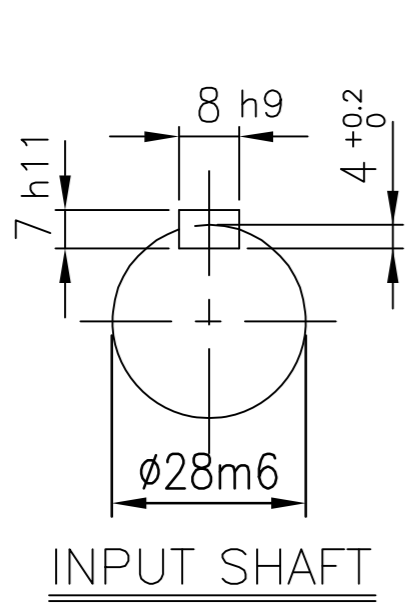
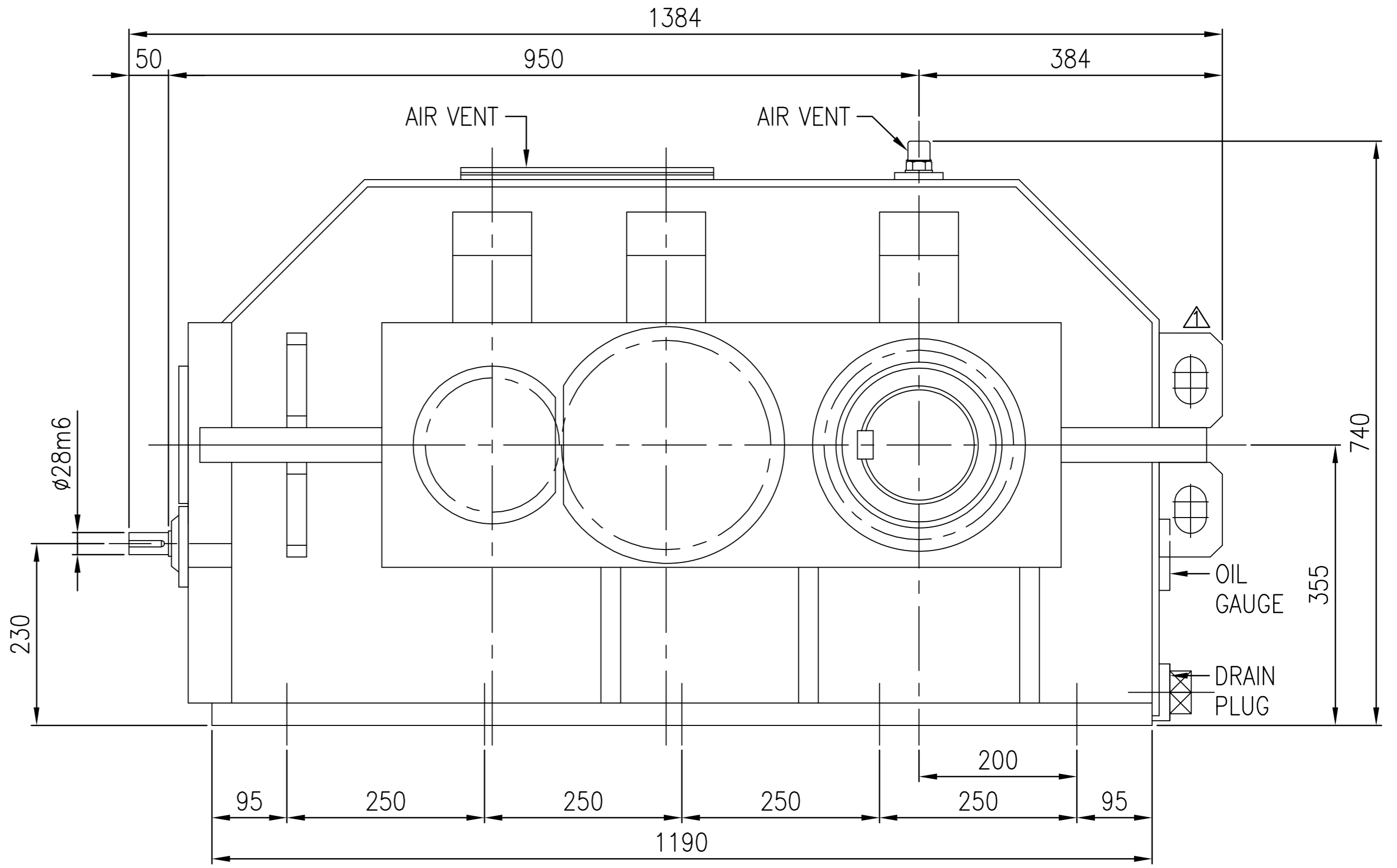
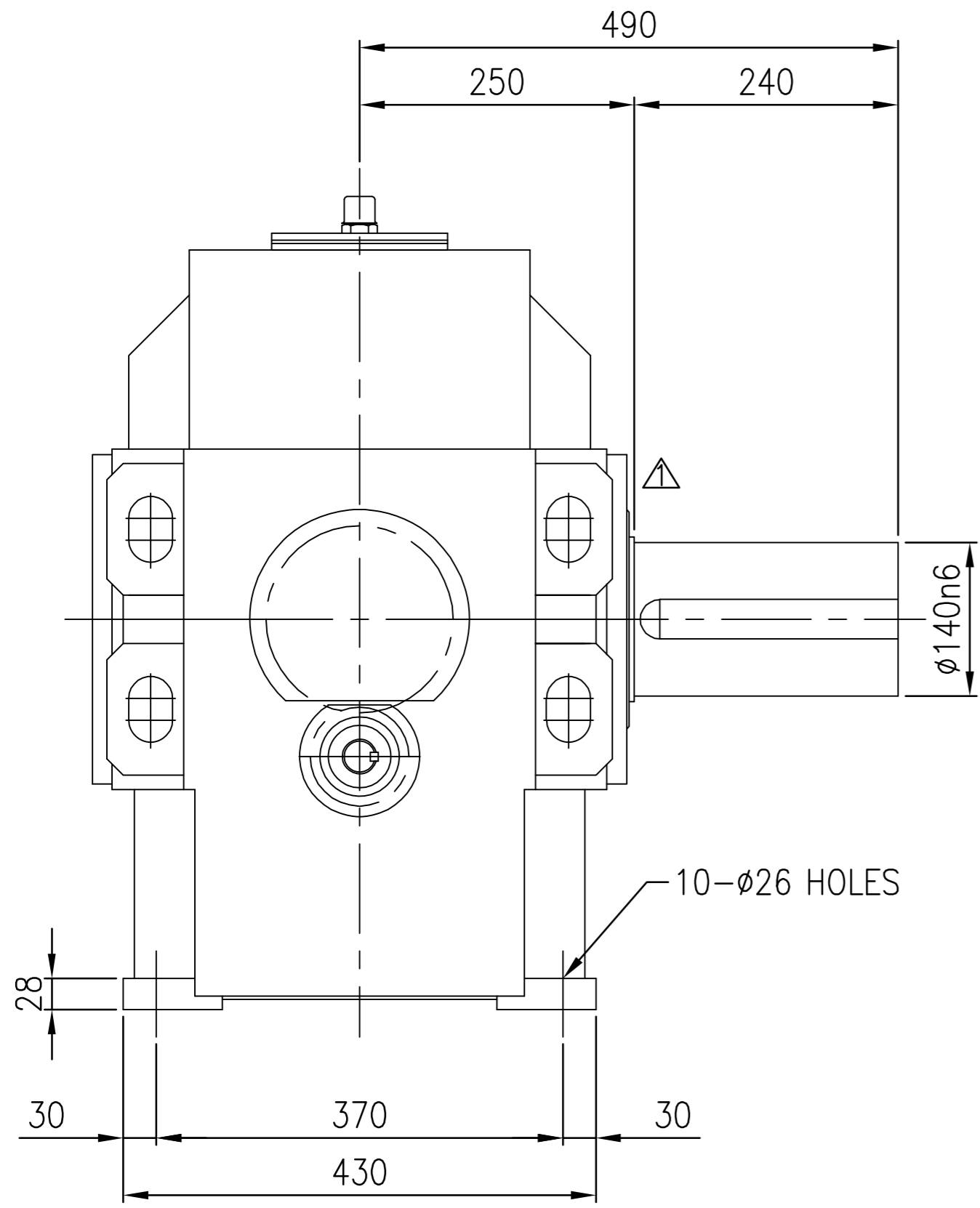


| No. | NAME | MATERIAL | DWG/MATL No. | CODE | Q'TY | SIZE | WEIGHT | REMARK |
|-----|------|----------|--------------|------|------|------|--------|--------|
|-----|------|----------|--------------|------|------|------|--------|--------|



| DWG NAME | | 기어박스 외형도 DIMENSION | | | |
|----------------|---------------------|---------------------------|------------|--------------|------------|
| 2013.09.27 | CHANGED LIFTING LUG | DWG No. EK1D000207 | | UNIT | mm |
| No. | DATE | DESCRIPTION of REVISION | DESIGNED | CHECKED | REVIEWED |
| 1 | 2013.10.24 | 박선향 | 2013.10.24 | 서성민 | 2013.10.24 |
| FORM | | HYOSUNG | | REVISION NO. | 01 |
| CE-14-0100-442 | | SKD32 (i=224~355) | | DATE | 2013-09-27 |
| 2012.02.08 | | REF. NO. DSKEN648 | | PROJECTION | ① |