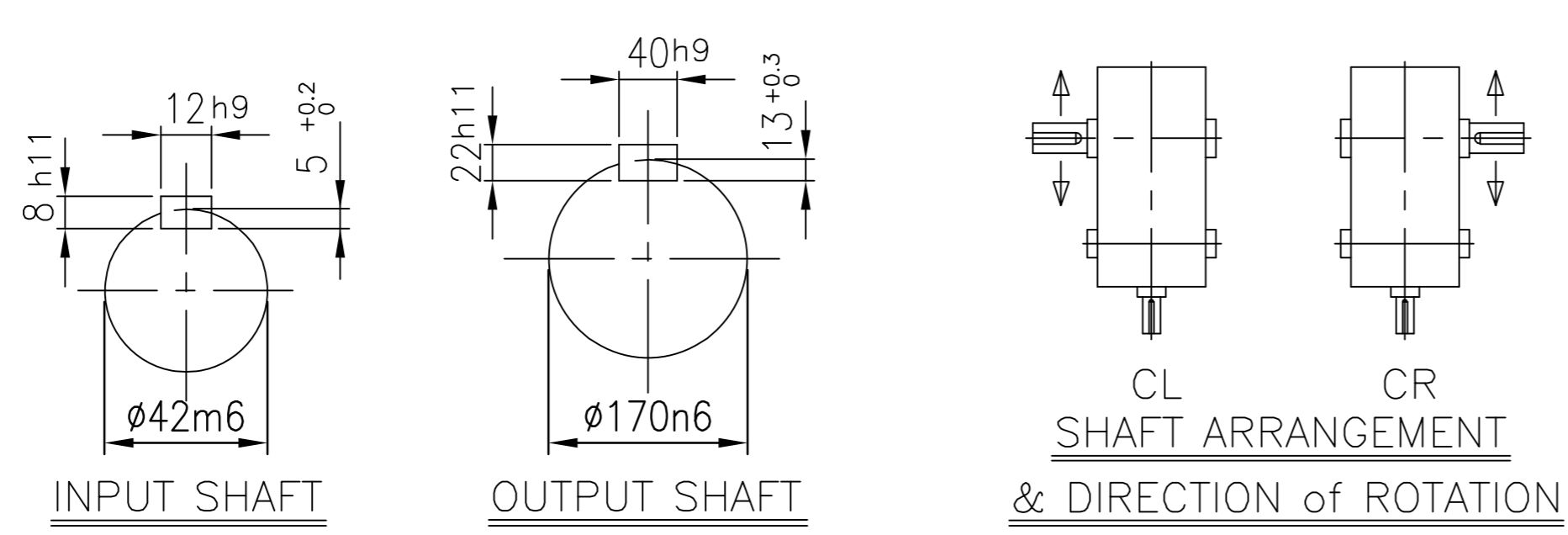
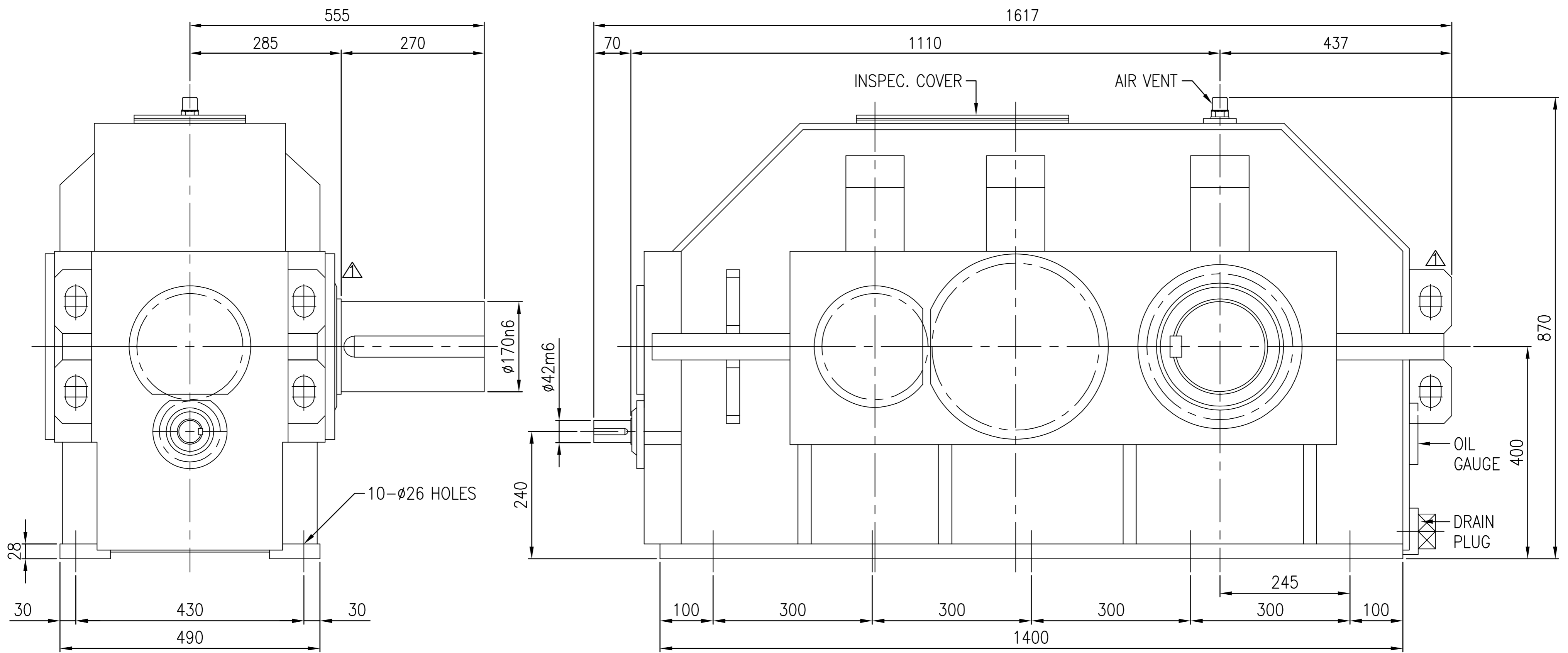


No.	NAME	MATERIAL	DWG/MATL No.	CODE	Q'TY	SIZE	WEIGHT	REMARK
-----	------	----------	--------------	------	------	------	--------	--------



DWG NAME		기어박스 외형도						
DIMENSION								
DWG No.		EK1D00208		UNIT	mm			
SCALE		1:5.5						
No.	DATE	DESCRIPTION of REVISION	DESIGNED	CHECKED	REVIEWED	APPROVED	DATE	2013-09-27
FORM		HYOSUNG		2013.10.24		2013.10.24		REVISION NO. 01
ITEM		SKD38 (i=80~200)		서성민		김기동		PROJECTION
REF. NO.		DSKEN649						(A)