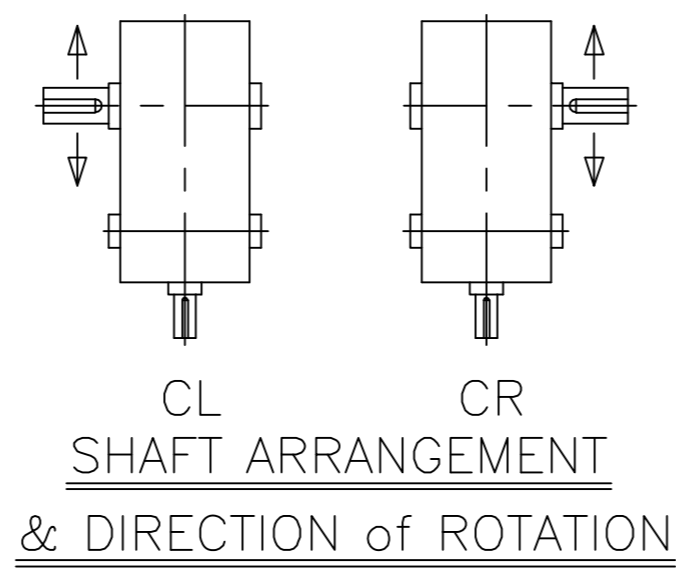
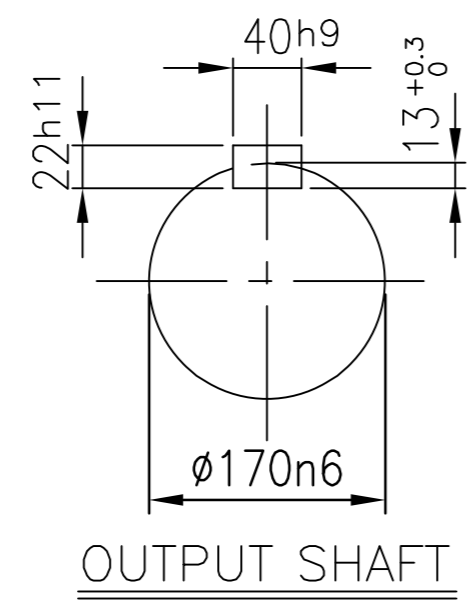
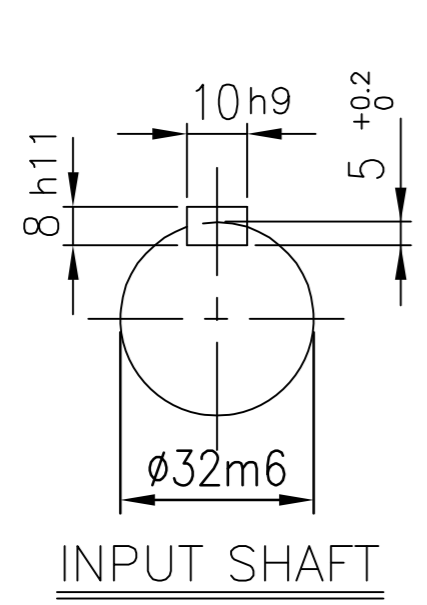
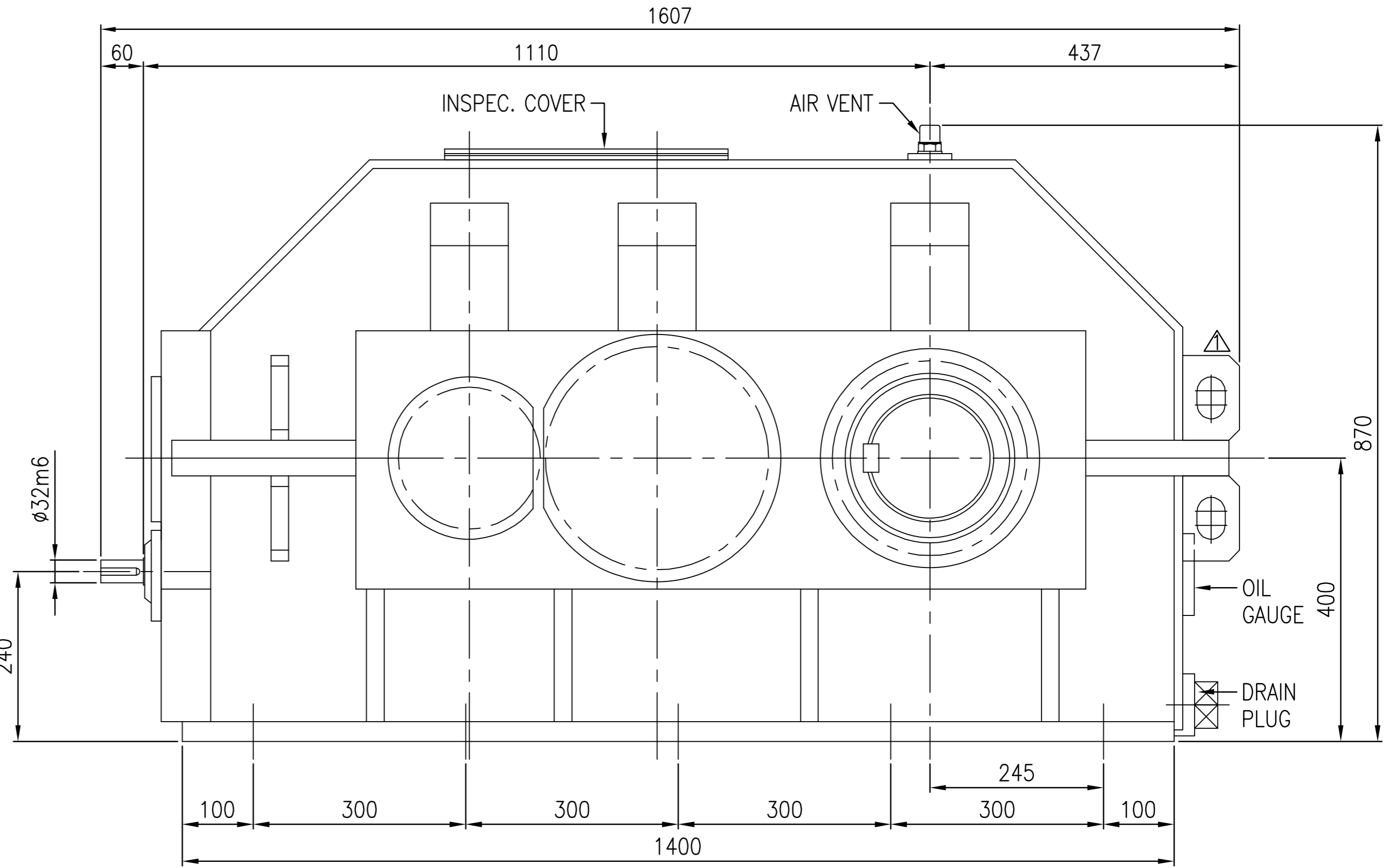
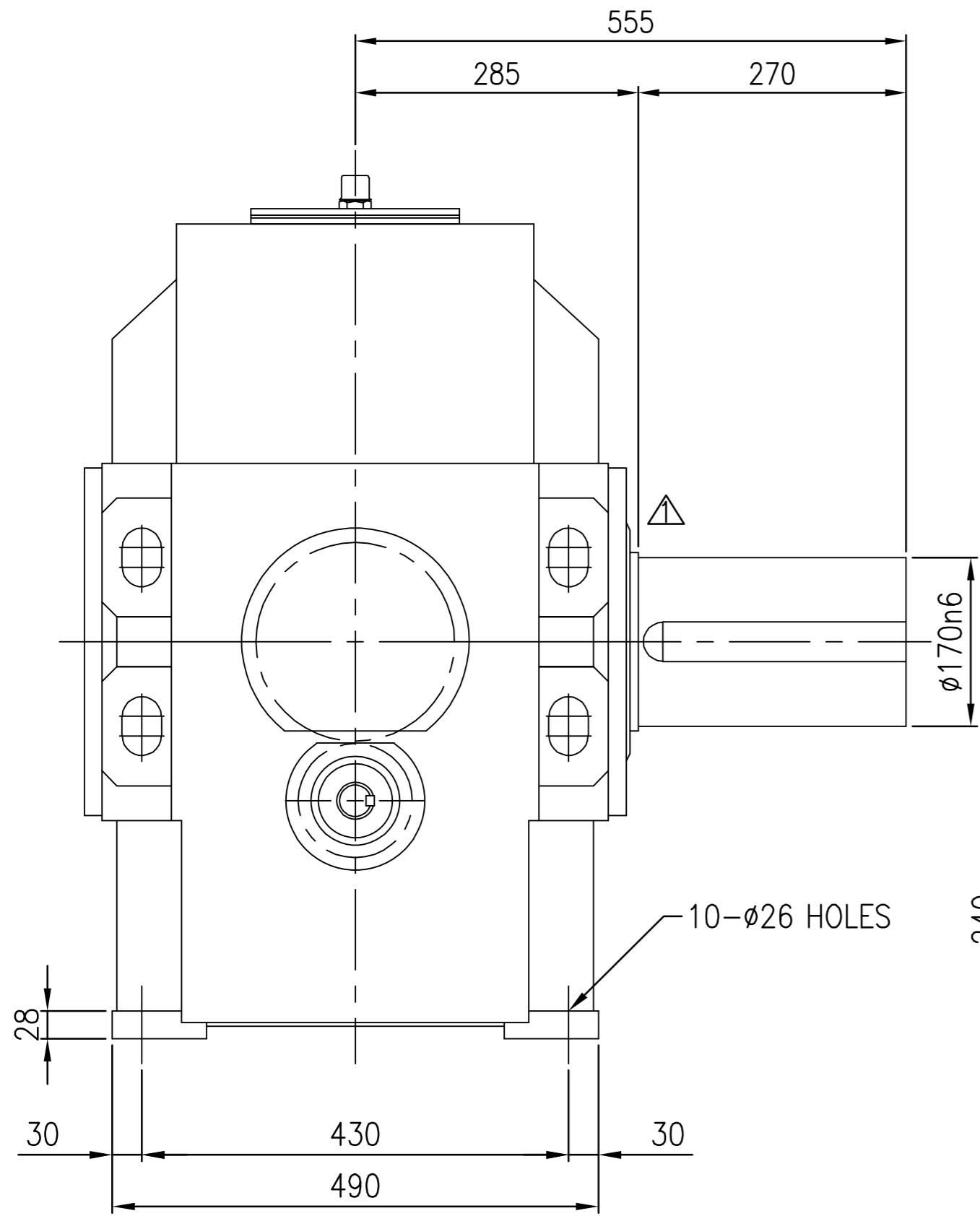


No.	NAME	MATERIAL	DWG/MATL No.	CODE	Q'TY	SIZE	WEIGHT	REMARK
-----	------	----------	--------------	------	------	------	--------	--------



DWG NAME		기어박스 외형도 DIMENSION			
2013.09.27		CHANGED LIFTING LUG		DWG No.	EK1DO00209
No.	DATE	DESIGNED	CHECKED	REVIEWED	APPROVED
1	2013.10.24	박선향	서성민		2013.10.24
FORM		HYOSUNG		REVISION NO.	01
CE-14-0100-442		SKD38 (i=224~355)		PROJECTION	①
2012.02.08		REF. NO.		DSKEN650	