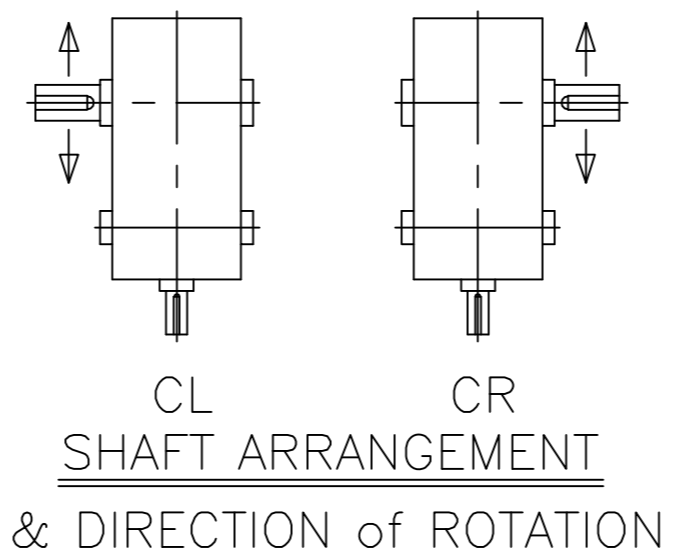
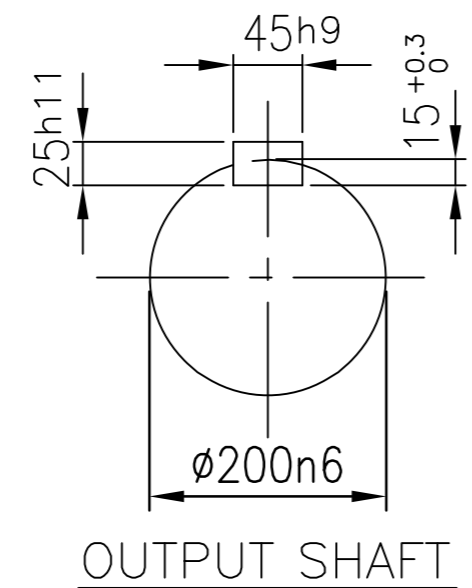
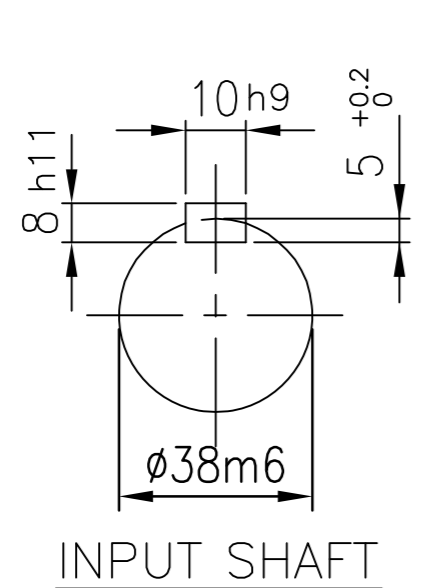
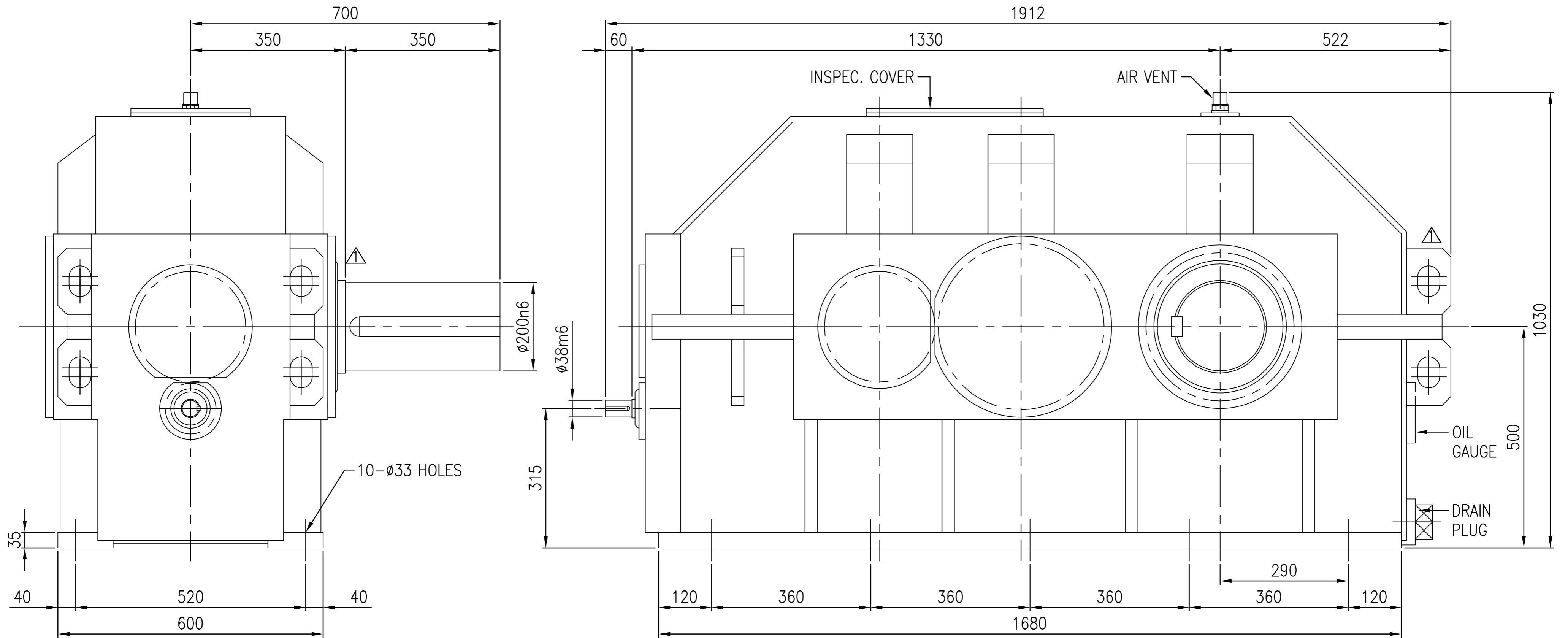


No.	NAME	MATERIAL	DWG/MATL No.	CODE	Q'TY	SIZE	WEIGHT	REMARK
-----	------	----------	--------------	------	------	------	--------	--------



DWG NAME		기어박스 외형도			
DIMENSION		DIMENSION			
2013.09.27	CHANGED LIFTING LUG	DWG No. <b>EK1DO00211</b>		UNIT	mm
No.	DATE	DESCRIPTION of REVISION	DESIGNED	CHECKED	REVIEWED
1	2013.10.24	박선향	2013.10.24	서성민	2013.10.24
FORM		HYOSUNG		APPROVED	DATE
CE-14-0100-442		SKD45 (i=224~355)		김기동	2013-09-27
2012.02.08		REF. NO.		DSKEN652	
ITEM		A		REVISION NO. 01	
				PROJECTION	