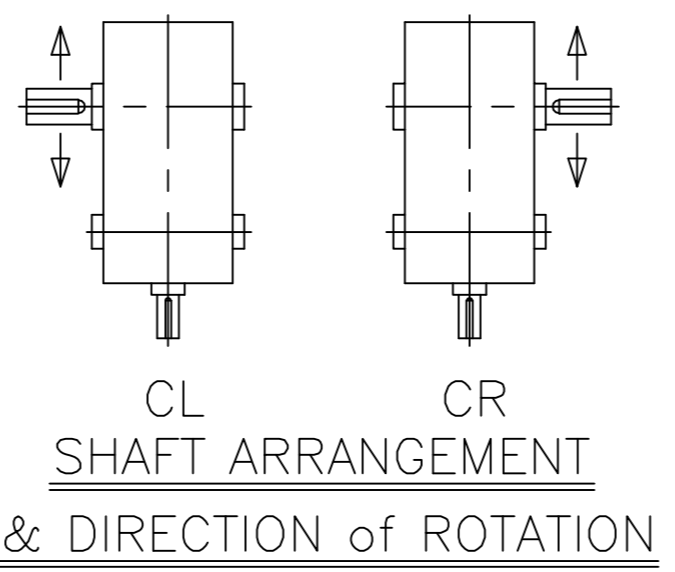
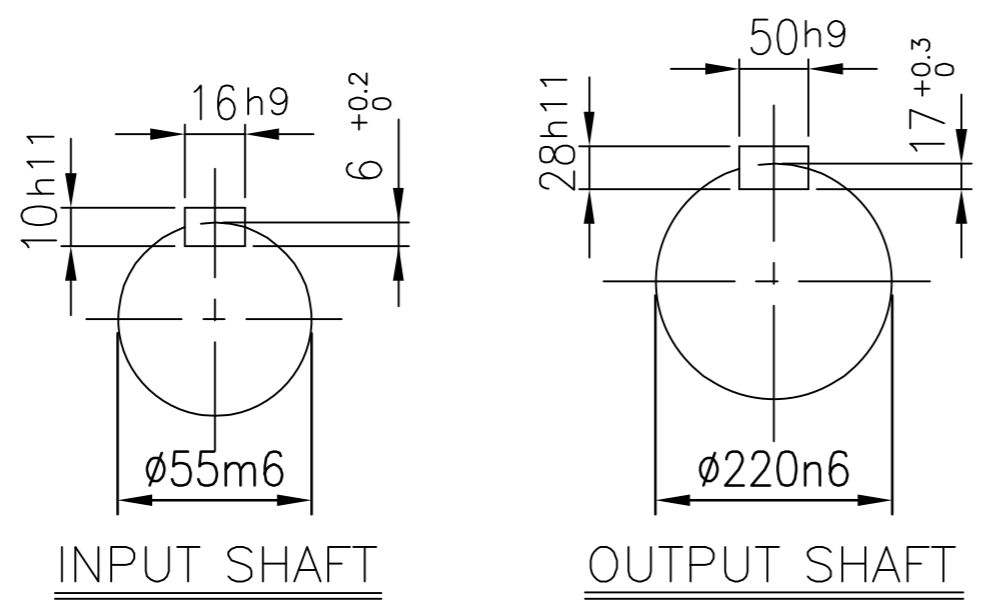
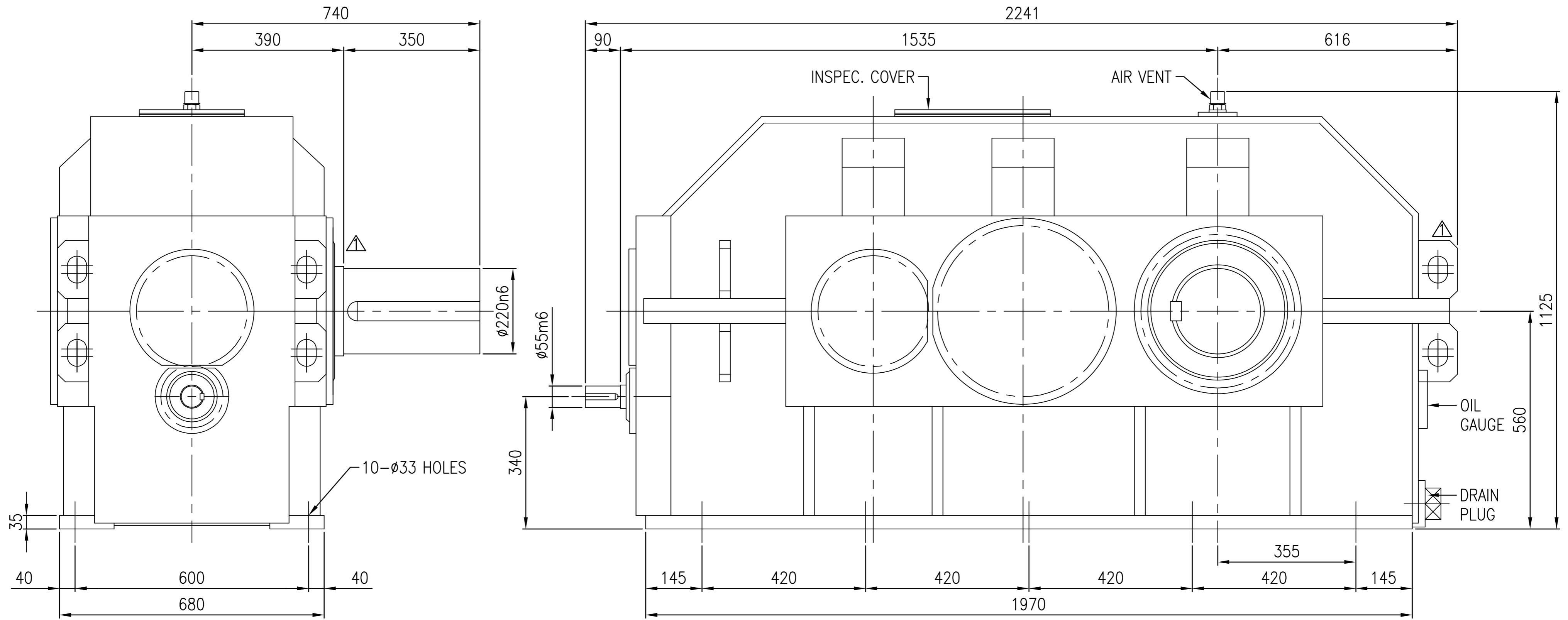


No.	NAME	MATERIAL	DWG/MATL No.	CODE	Q'TY	SIZE	WEIGHT	REMARK
-----	------	----------	--------------	------	------	------	--------	--------



2013.12.11		DELETE UNNECESSARY DIMENSION		DWG NAME		기어박스 외형도	
2013.09.27		CHANGED LIFTING LUG		DWG No.		EK1D000212	
No.	DATE	DESCRIPTION of REVISION		DESIGNED	CHECKED	REVIEWED	APPROVED
1	2013.12.11	박명균		2013.12.11	2013.12.12		2013.12.12
2	2012.02.08	서성민					김기동
FORM CE-14-010-A2 2012.02.08				HYOSUNG		REVISION NO.	02
ITEM SKD50 (i=80~200)				REF. NO.	DSKEN653		(A)