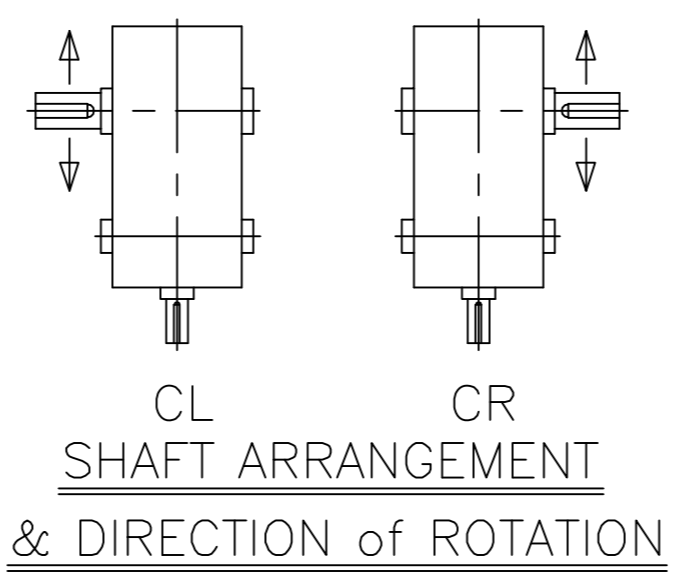
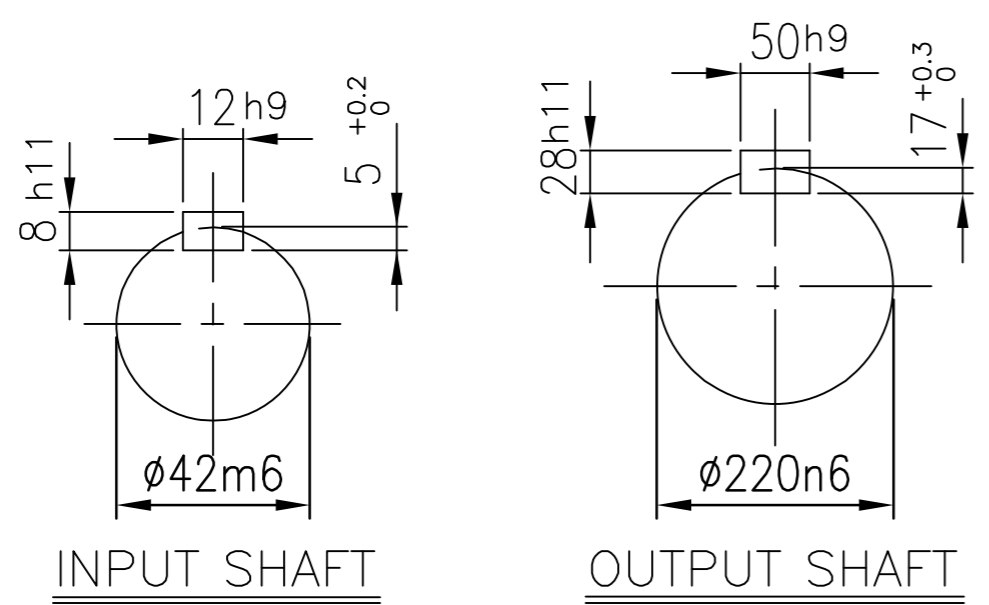
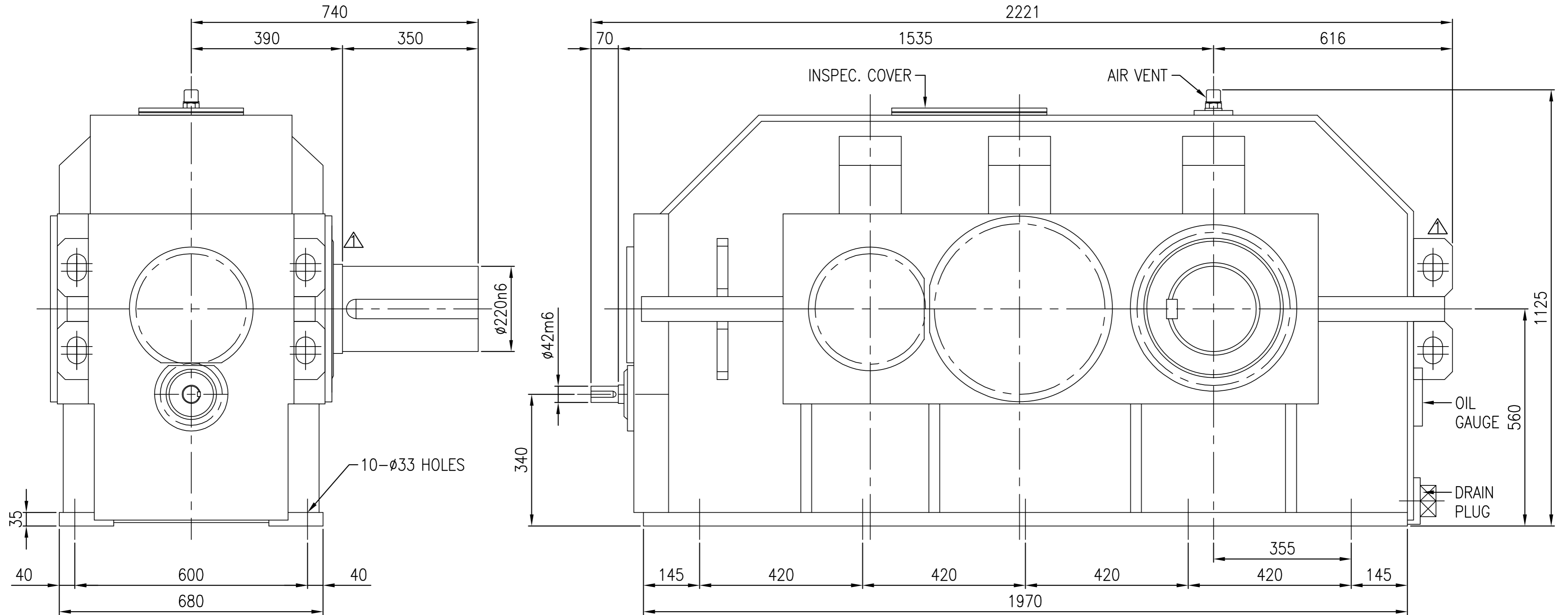


No.	NAME	MATERIAL	DWG/MATL No.	CODE	Q'TY	SIZE	WEIGHT	REMARK
-----	------	----------	--------------	------	------	------	--------	--------



DWG NAME		기어박스 외형도 DIMENSION					
2013.12.11	DELETE UNNECESSARY DIMENSION	DWG No. EK1DO00213		UNIT	mm		
2013.09.27	CHANGED LIFTING LUG	SCALE		1:7.5			
No.	DATE	DESIGNED	CHECKED	REVIEWED	APPROVED	DATE	2013-09-27
FORM CE-14-010-442 2012.02.08		HYOSUNG		2013.12.11	2013.12.12	2013.12.12	REVISION NO. 02
ITEM SKD50 (i=224~355)		REF. NO. DSKEN654		PROJECTION		A	