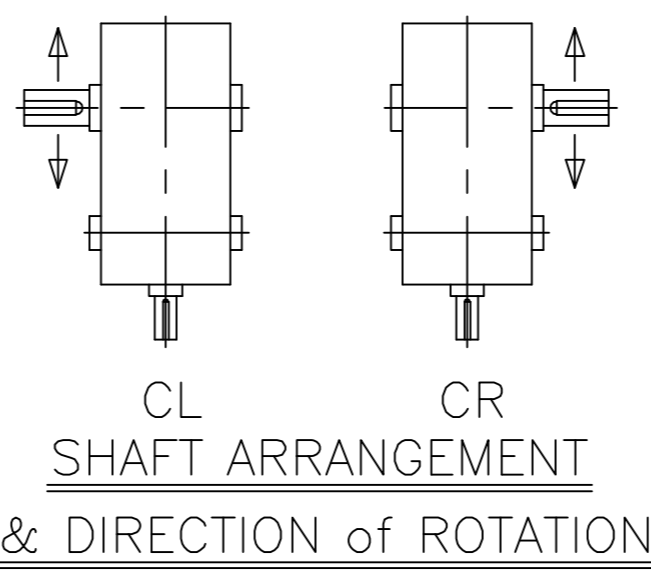
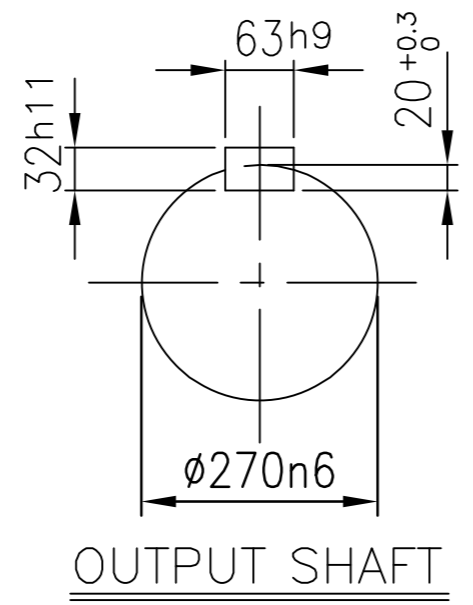
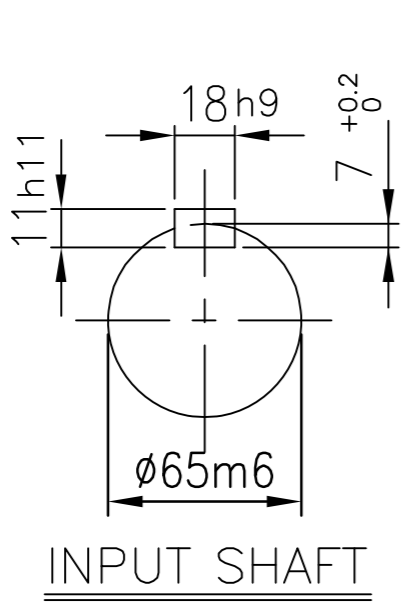
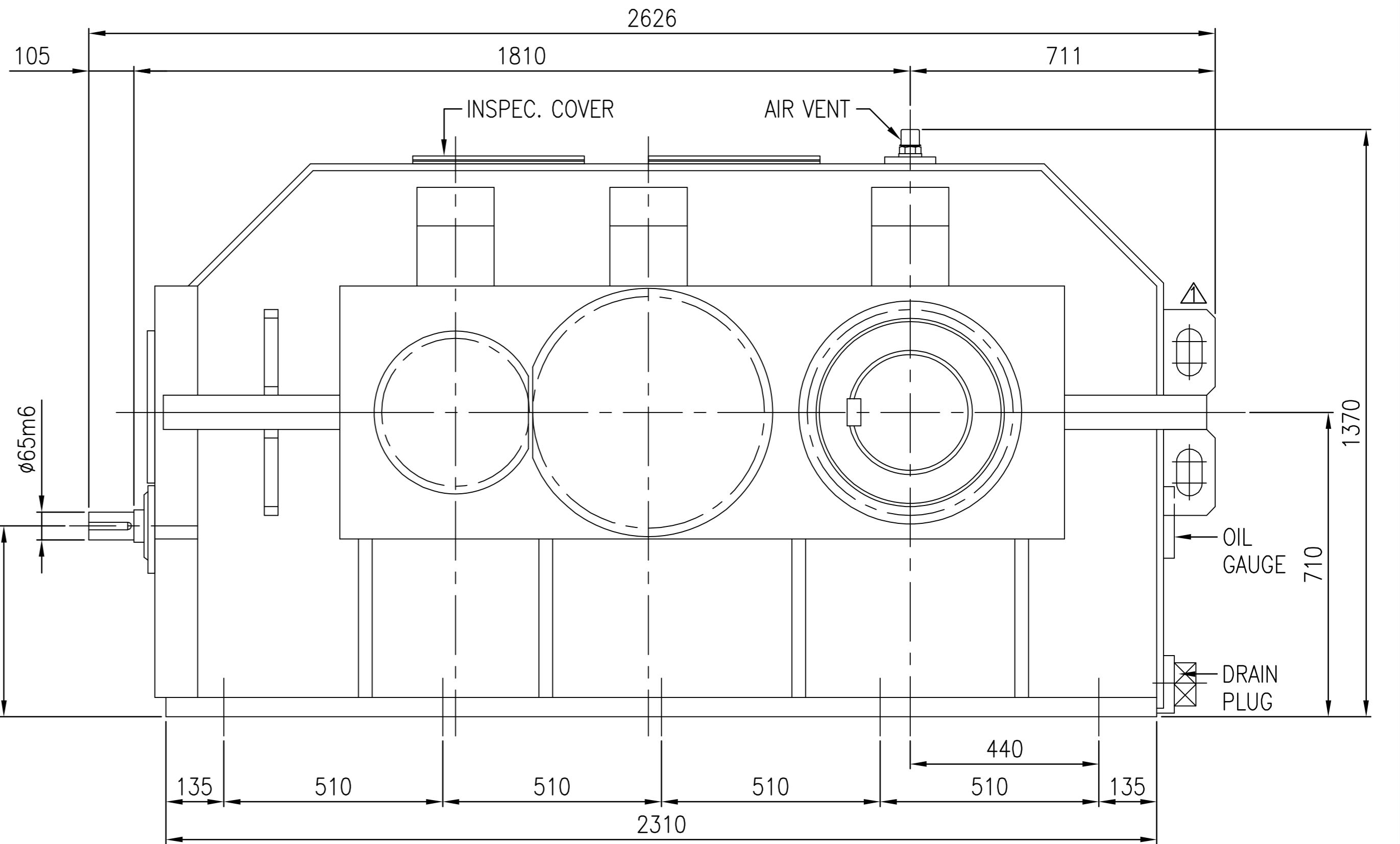
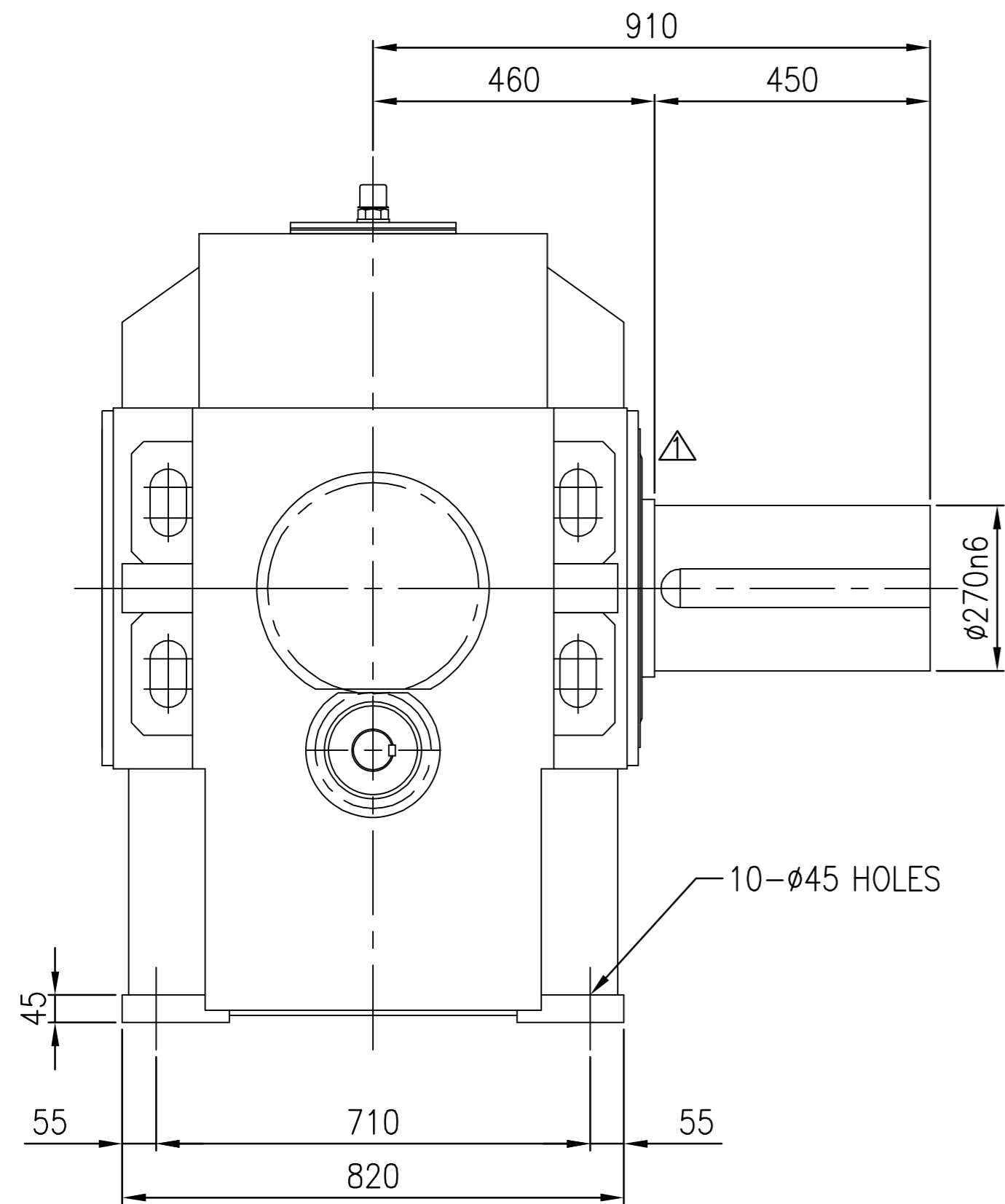


No.	NAME	MATERIAL	DWG/MATL No.	CODE	Q'TY	SIZE	WEIGHT	REMARK
-----	------	----------	--------------	------	------	------	--------	--------



DWG NAME		기어박스 외형도 DIMENSION			
2013.09.27	CHANGED LIFTING LUG	DWG No. EK1D000216		UNIT	mm
No.	DATE	DESIGNED	CHECKED	REVIEWED	APPROVED
		박선희	서성민		김기동
DESCRIPTION of REVISION		DATE	2013-09-27	REVISION NO.	01
FORM CE-14-0100-442 2012.02.08		HYOSUNG		PROJECTION	☉
ITEM SKD61 (i=80~200)		REF. NO.	DSKEN657		