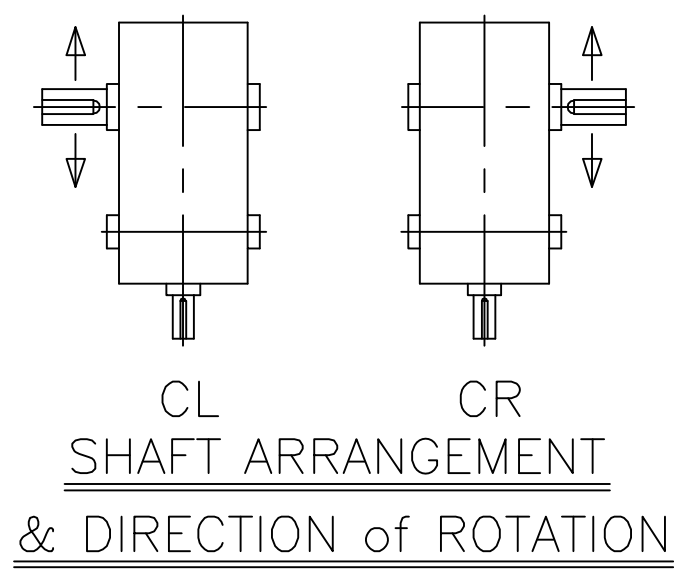
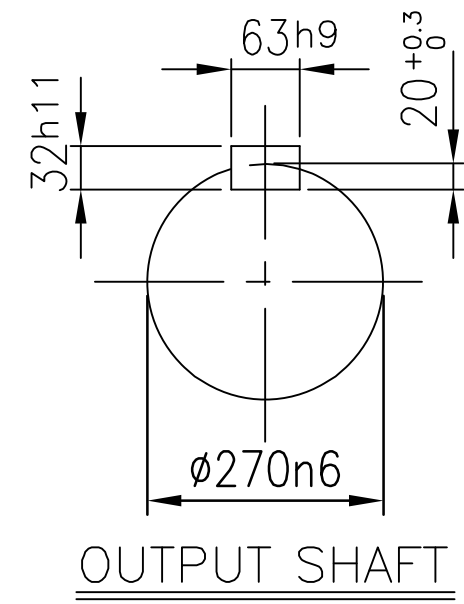
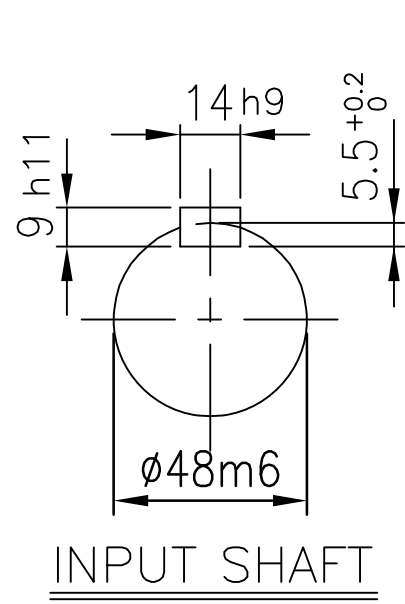
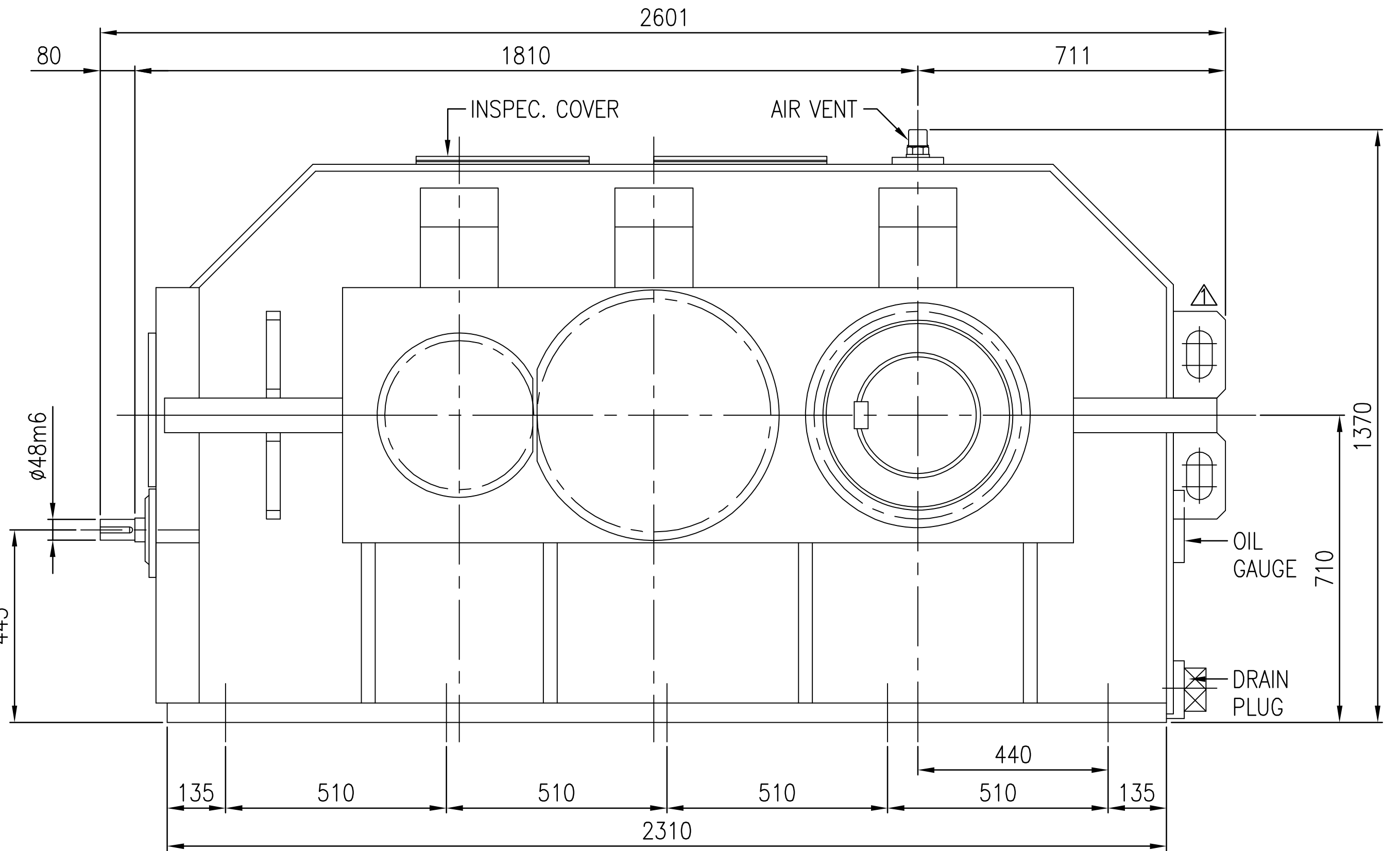
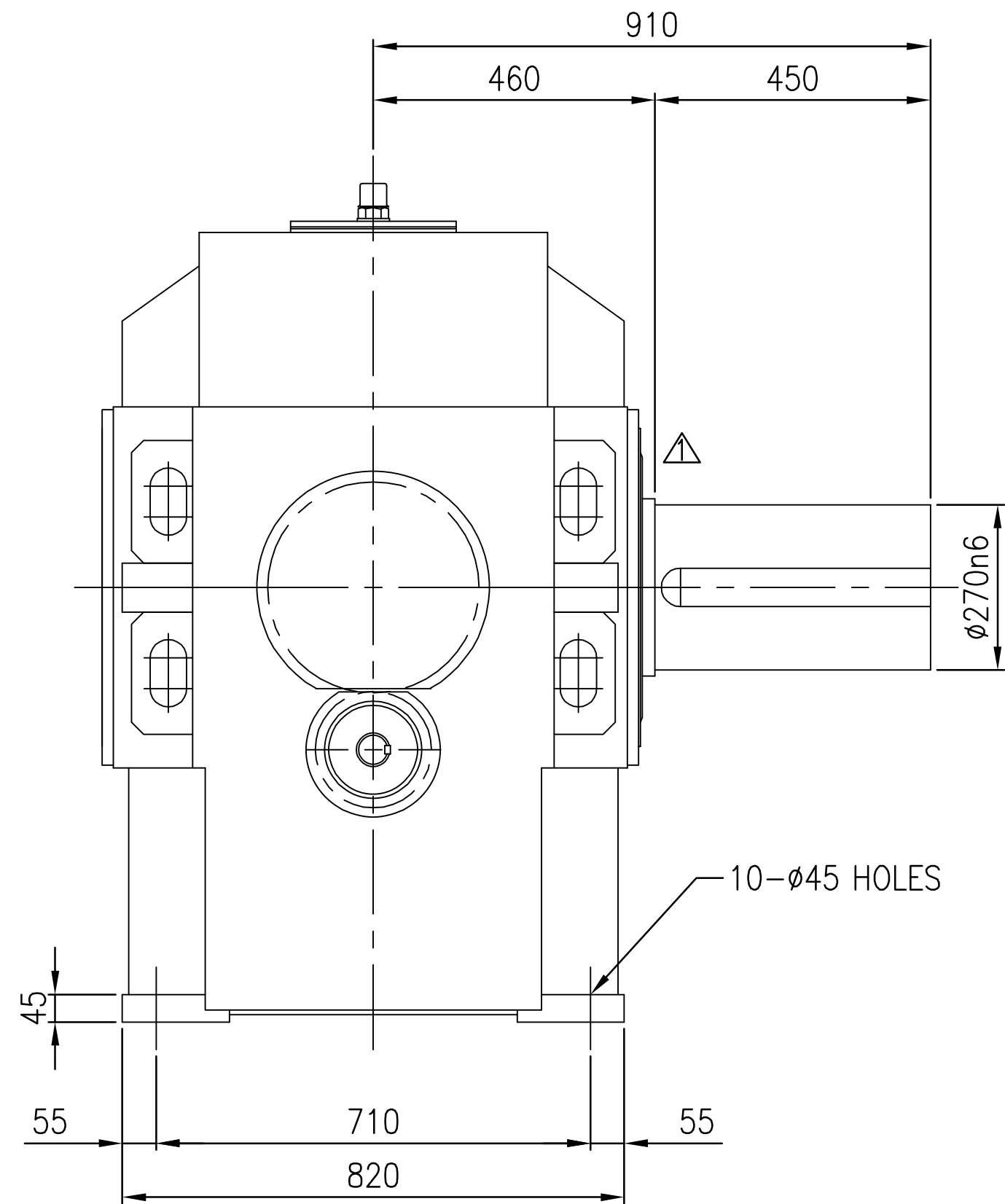


No.	NAME	MATERIAL	DWG/MATL No.	CODE	Q'TY	SIZE	WEIGHT	REMARK
-----	------	----------	--------------	------	------	------	--------	--------



DWG NAME		기어박스 외형도 DIMENSION						
DWG No.		EK1D00217		UNIT	mm			
SCALE		1:9						
No.	DATE	DESCRIPTION of REVISION	DESIGNED	CHECKED	REVIEWED	APPROVED	DATE	2013-09-27
1	2013.09.27	CHANGED LIFTING LUG						
FORM		HYOSUNG		2013.10.24		2013.10.24		REVISION NO.
CE-14-0100-442		2012.02.08		박선희		서성민		01
ITEM		SKD61 (i=224~355)		REF. NO.		DSKEN658		(A)