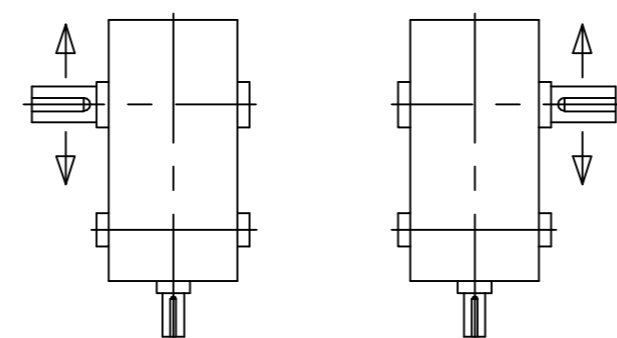
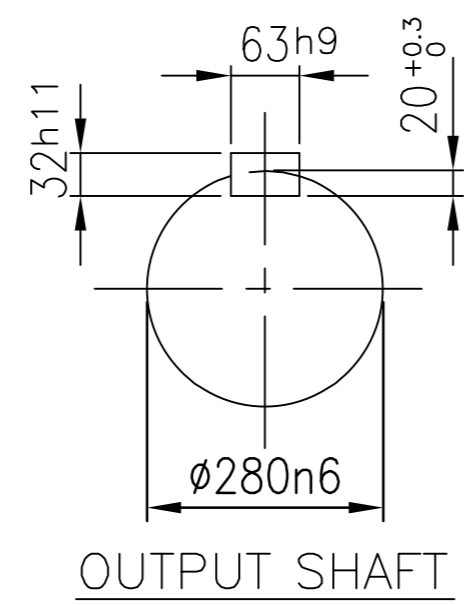
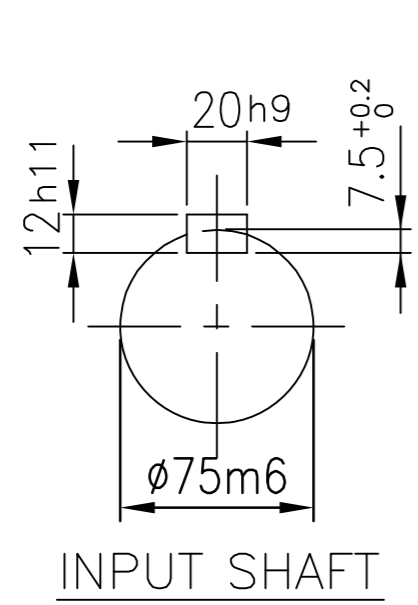
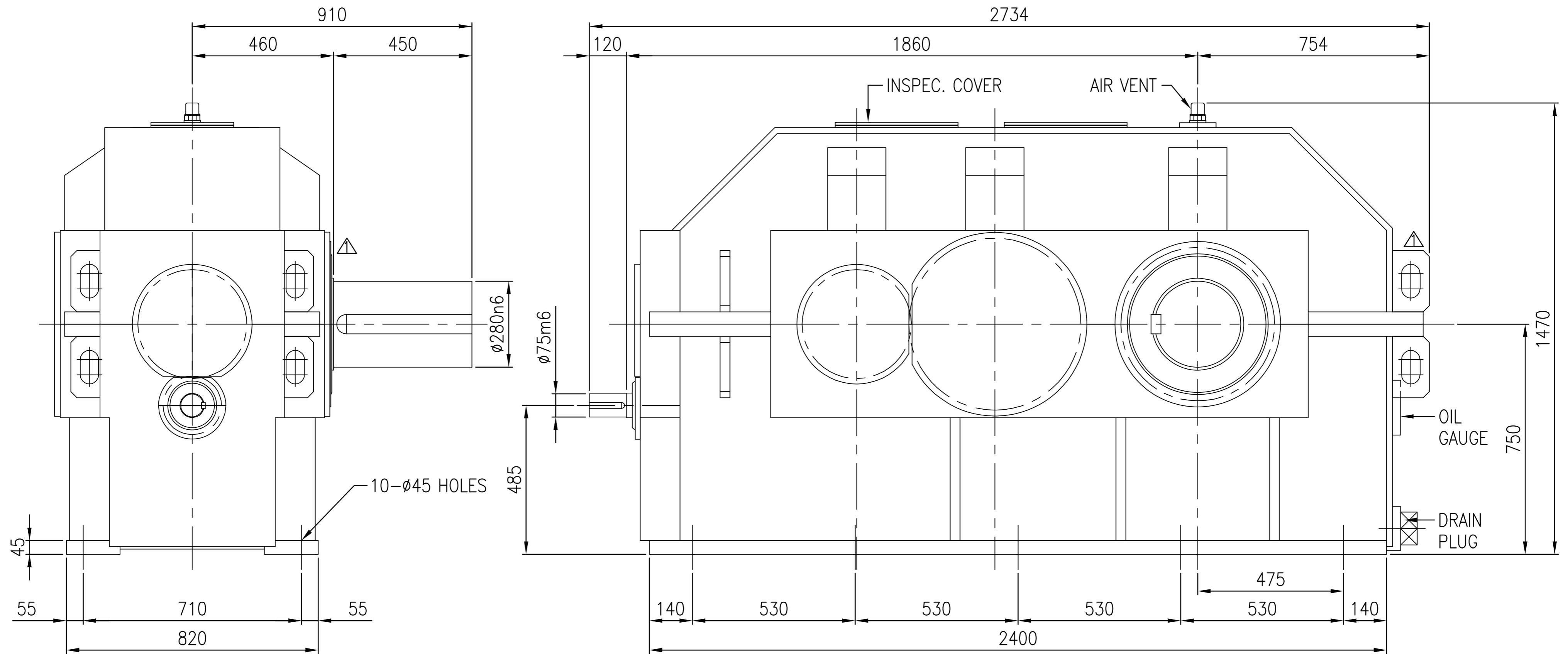


No.	NAME	MATERIAL	DWG/MATL No.	CODE	Q'TY	SIZE	WEIGHT	REMARK
-----	------	----------	--------------	------	------	------	--------	--------



CL CR  
SHAFT ARRANGEMENT  
& DIRECTION of ROTATION

DWG NAME		기어박스 외형도 DIMENSION			
2013.09.27		CHANGED LIFTING LUG		EYK1D000218	
No.	DATE	DESIGNED	CHECKED	REVIEWED	APPROVED
14-0100-42	2012.02.08	박선향	서성민		김기동
FORM		HYOSUNG		REVISION NO. 01	
ITEM		SKD66 (i=80~200)		PROJECTION	
REF. NO.		DSKEN659			