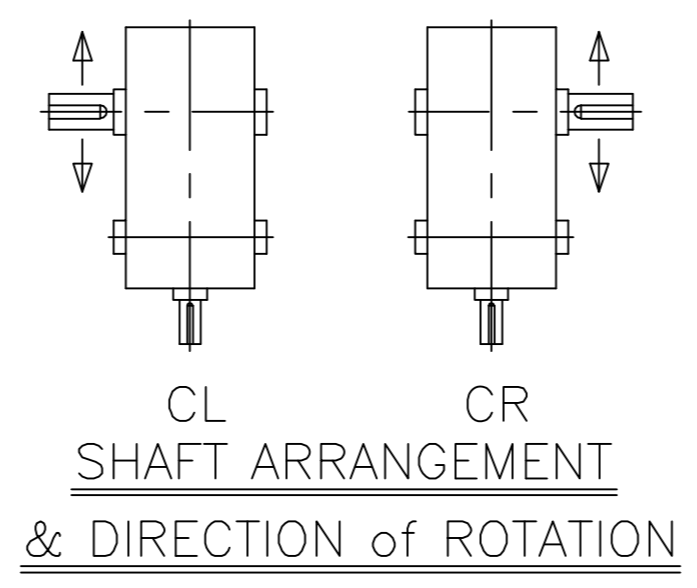
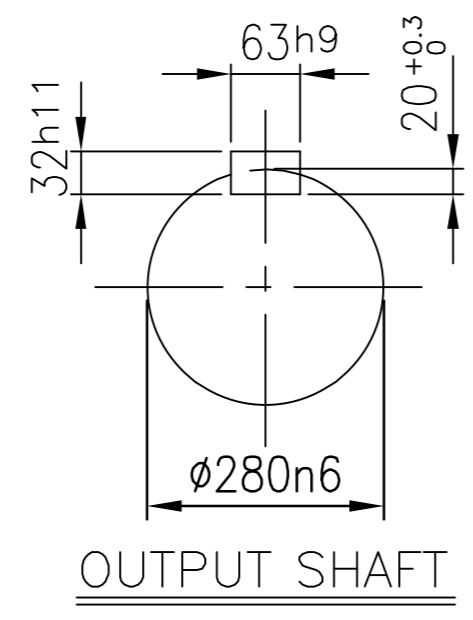
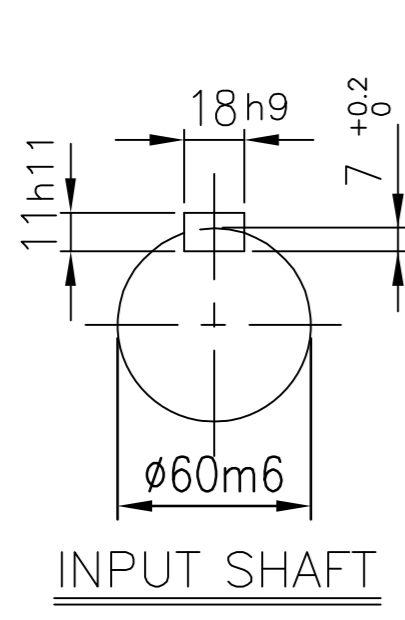
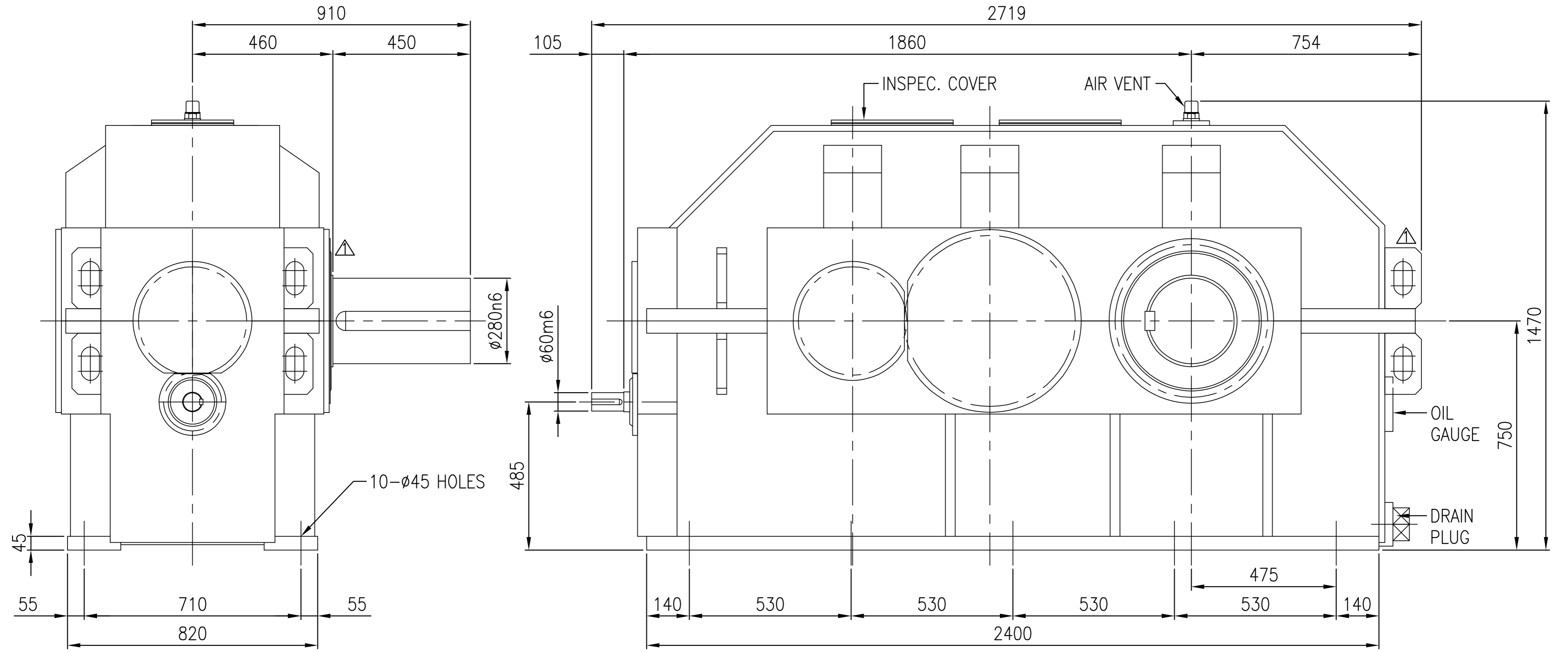


No.	NAME	MATERIAL	DWG/MATL No.	CODE	Q'TY	SIZE	WEIGHT	REMARK
-----	------	----------	--------------	------	------	------	--------	--------



DWG NAME		기어박스 외형도 DIMENSION						
2013.09.27	CHANGED LIFTING LUG	DWG No. EK1D000219		UNIT	mm			
No.	DATE	DESCRIPTION of REVISION	DESIGNED	CHECKED	REVIEWED	APPROVED	DATE	2013-09-27
FORM	CE-14-0100-442		박선향	서성민		김기동	REVISION NO.	01
DATE	2012.02.08						PROJECTION	①
ITEM	SKD66 (i=224~355)	REF. NO.	DSKEN660			①		