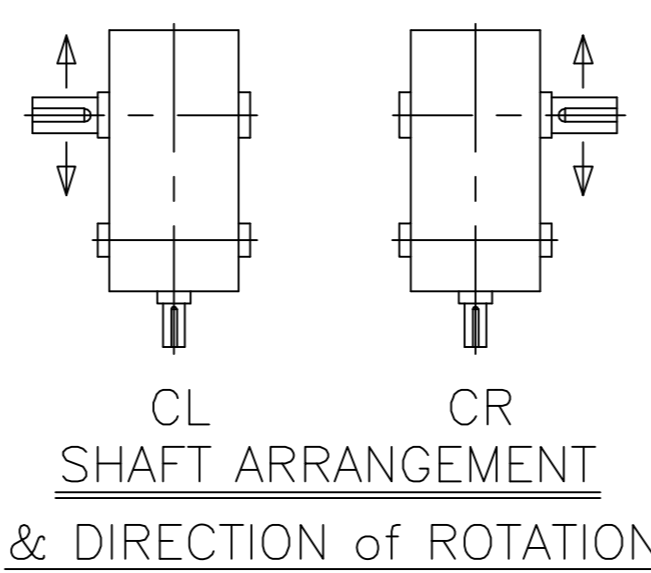
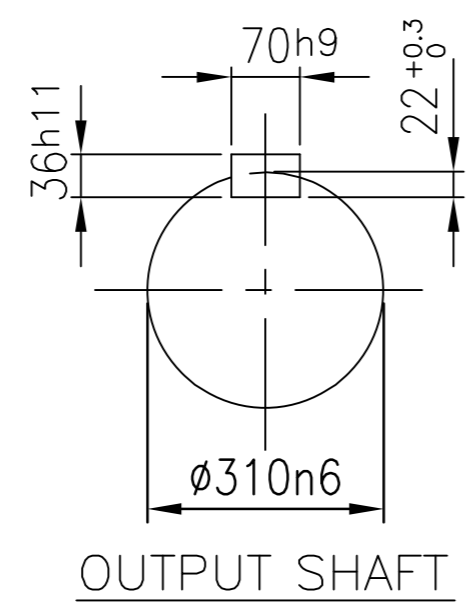
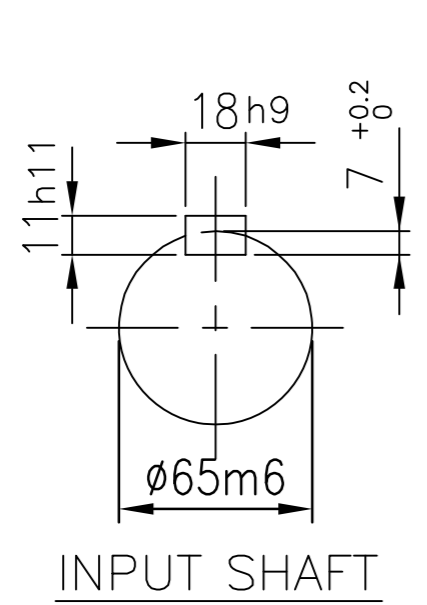
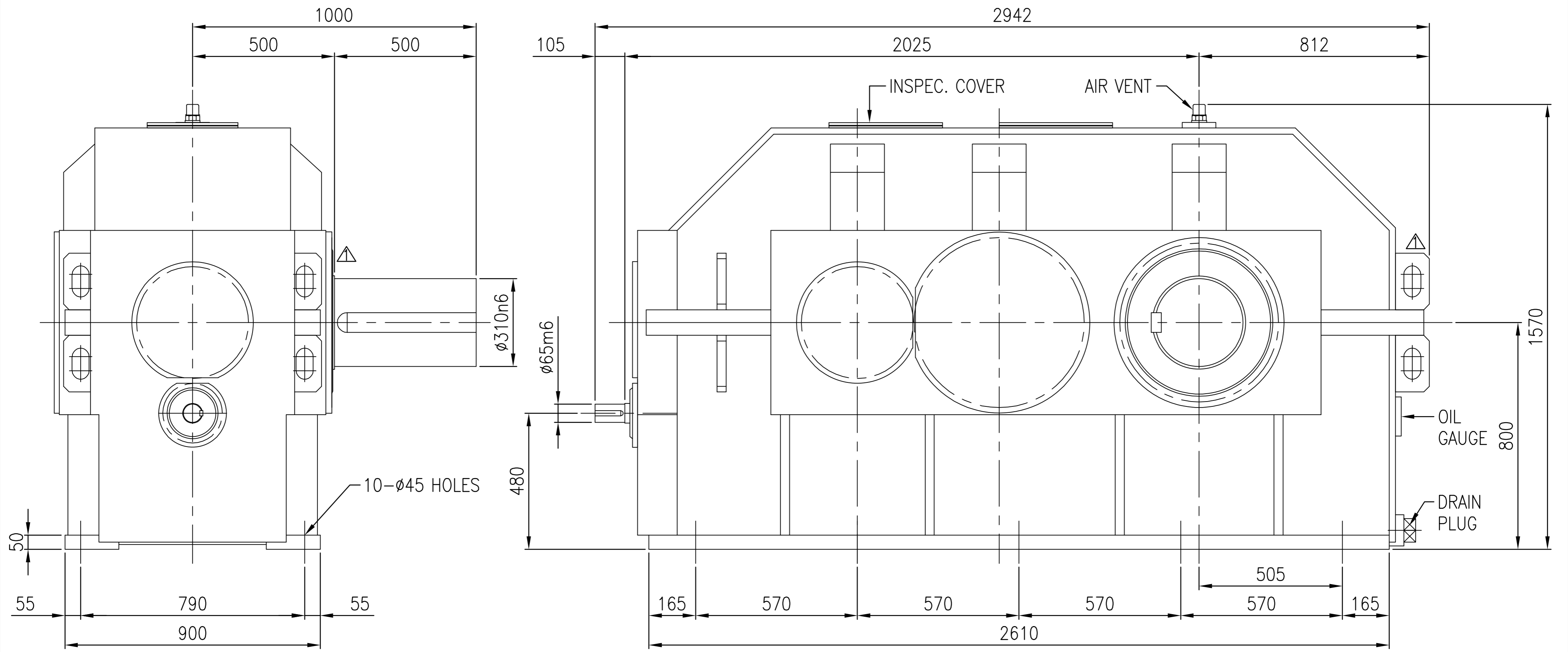


No.	NAME	MATERIAL	DWG/MATL No.	CODE	Q'TY	SIZE	WEIGHT	REMARK
-----	------	----------	--------------	------	------	------	--------	--------



DWG NAME		기어박스 외형도 DIMENSION			
2013.09.27	CHANGED LIFTING LUG	DWG No. EK1DO00221		UNIT	mm
No.	DATE	DESCRIPTION of REVISION	DESIGNED	CHECKED	REVIEWED
1	2013.10.24	박선향	2013.10.24	서성민	2013.10.24
FORM		HYOSUNG		APPROVED	DATE
CE-14-0100-4A2		SKD71 (i=224~355)		2013-09-27	REVISION NO. 01
2012.02.08		REF. NO. DSKEN662		2013.10.24	PROJECTION
ITEM		A			