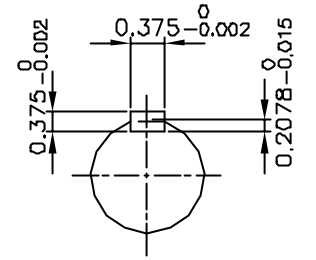
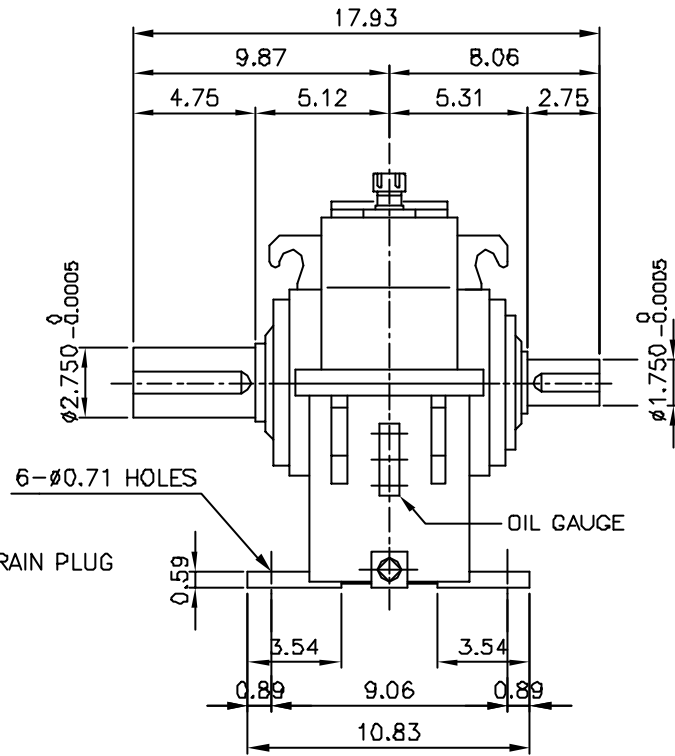
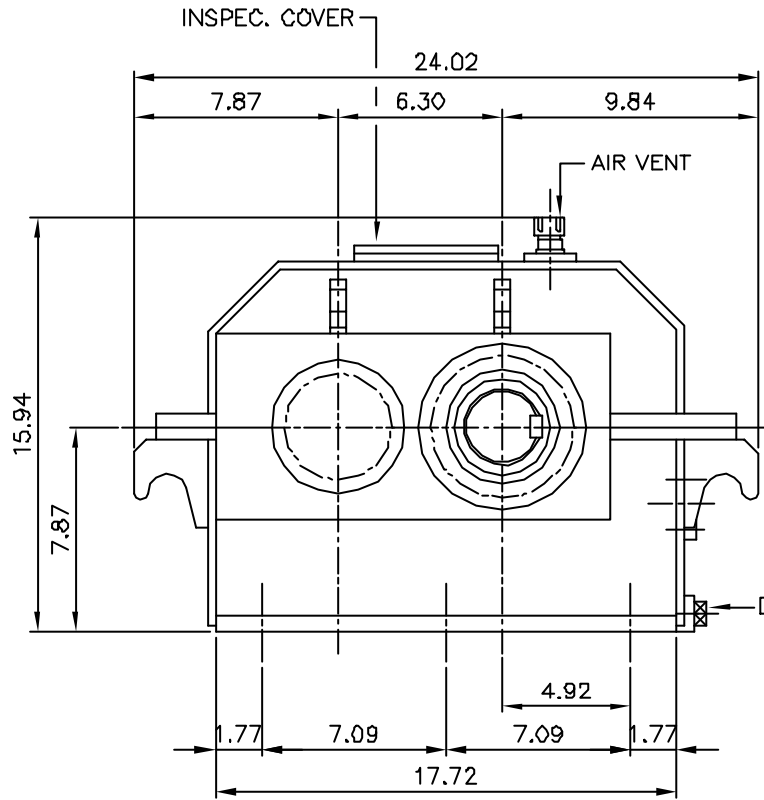


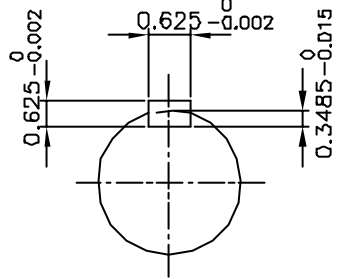
DWG NO.

S K E N 5 0 5

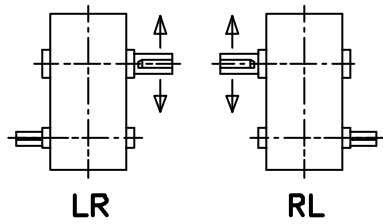
H 5 0



INPUT SHAFT



OUTPUT SHAFT



SHAFT ARRANGEMENT & DIRECTION of ROTATION

REV	DESCRIPTION	APPR	CHK	DRWN	DATE
△					
△					
△					
△					
△					

TYPE		SHA 16 (i = 3.15 ~ 4.5)		DWG. NAME		DIMENSION	
APPRV	CHECK	DESIGN	DRAWN	THIRD ANGLE PROJECTION	SCALE	1	5
L.H.Y	M.B.U.W.D.K			REF DWG NO.			DATE 1999.2.3
HYOSUNG CORPORATION				DWG NO.	S K E N 5 0 5		

H 5 0