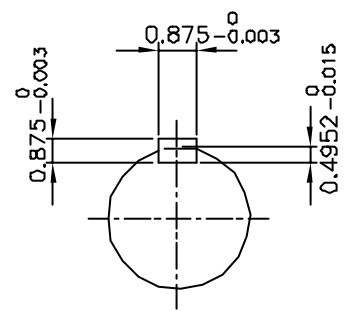
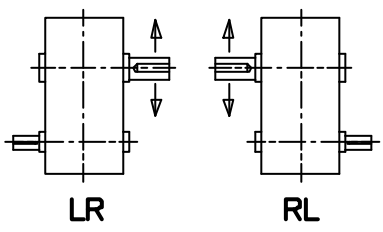


INPUT SHAFT



OUTPUT SHAFT



**SHAFT ARRANGEMENT
& DIRECTION of ROTATION**

REV	DESCRIPTION	APPR	CHK	DRWN	DATE
△					
△					
△					
△					
△					

TYPE				SHA 18		DWG. NAME		
				$(i = 2 \sim 2.8)$		DIMENSION		
APPROV	CHECK	DESIGN	DRAWN	THIRD ANGLE PROJECTION	SCALE	1	6	DATE 1999.2.3
L.H.Y	M.B.UW.D.K			REF DWG NO.				
HYOSUNG CORPORATION				DWG NO.	S K E N 5 0 7 H 5 0			