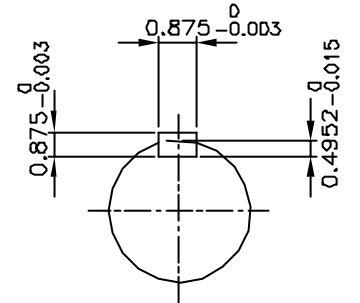
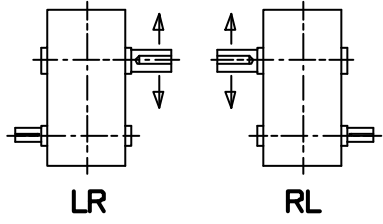


INPUT SHAFT



OUTPUT SHAFT



**SHAFT ARRANGEMENT
& DIRECTION of ROTATION**

REV	DESCRIPTION	APPR	CHK	DRWN	DATE
△					
△					
△					
△					
△					

TYPE				SHA 18		DWG. NAME		
				(i = 3.15 ~ 4.5)		DIMENSION		
APPROV	CHECK	DESIGN	DRAWN	THIRD ANGLE PROJECTION	SCALE	1/6	DATE 1999.2.5	
L.H.Y	M.B.U.W.D.K			REF DWG NO.				
HYOSUNG CORPORATION				DWG NO.	S K E N 5 0 8			H 5 0