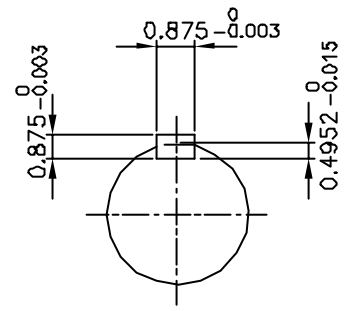
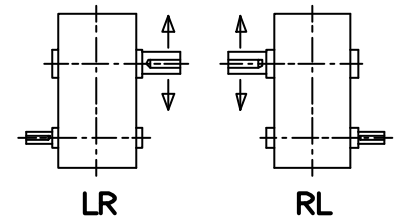


**INPUT SHAFT**



**OUTPUT SHAFT**



**SHAFT ARRANGEMENT & DIRECTION of ROTATION**

REV	DESCRIPTION	APPR	CHCK	DRWN	DATE
△					
△					
△					
△					

TYPE <b>SHA 18</b> (i = 5 ~ 6.3)				DWG. NAME <b>DIMENSION</b>		
APPROV	CHECK	DESIGN	DRAWN	THIRD ANGLE PROJECTION	SCALE 1/6	DATE 1999.2.5
L.H.Y	M.B.U.W.D.K			REF DWG NO.		
HYOSUNG CORPORATION				DWG NO.	<b>S K E N 5 0 9</b> <b>H 5 0</b>	