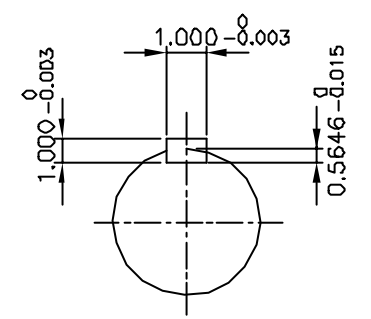
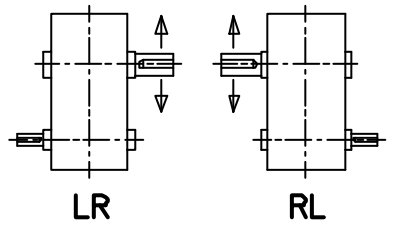


**INPUT SHAFT**



**OUTPUT SHAFT**



**SHAFT ARRANGEMENT  
& DIRECTION of ROTATION**

REV	DESCRIPTION	APPR	CHK	DRWN	DATE
△					
△					
△					
△					
△					

TYPE <b>SHA 22</b> (i = 3.15 ~ 4.5)				DWG. NAME <b>DIMENSION</b>		
APPROV	CHECK	DESIGN	DRAWN	THIRD ANGLE PROJECTION	SCALE 1/7	DATE 1999.2.10
L.H.Y	M.B.UW.D.K			REF DWG NO.		
HYOSUNG CORPORATION				DWG NO.	<b>S K E N 5 1 1</b>	