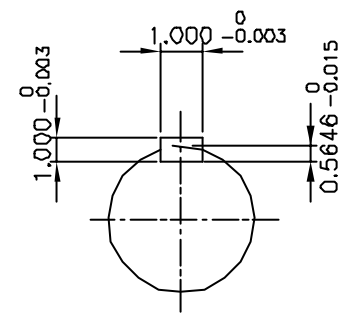
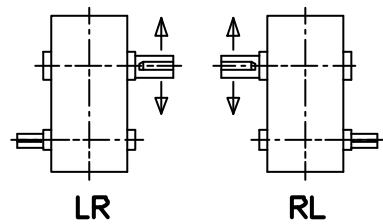


INPUT SHAFT



OUTPUT SHAFT



**SHAFT ARRANGEMENT
& DIRECTION of ROTATION**

REV	DESCRIPTION	APPR	CHK	DRWN	DATE
△					
△					
△					
△					
△					

TYPE SHA 22 (i = 5 ~ 6.3)				DWG. NAME DIMENSION		
APPROV	CHECK	DESIGN	DRAWN	THIRD ANGLE PROJECTION	SCALE 1/7	DATE 1999.2.10
L.H.Y	M.B.U.W.D.K			REF DWG NO.		
HYOSUNG CORPORATION				DWG NO.	S K E N 5 1 2 H 5 0	