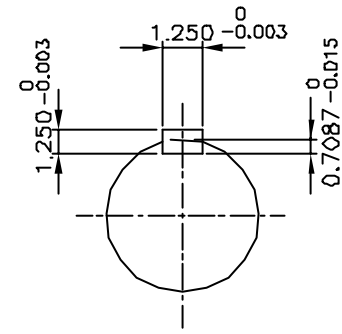
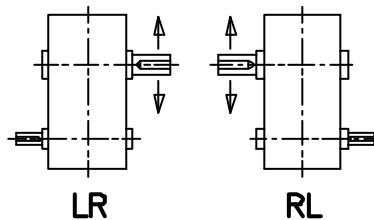


**INPUT SHAFT**



**OUTPUT SHAFT**



**SHAFT ARRANGEMENT  
& DIRECTION of ROTATION**

REV	DESCRIPTION	APPR	CHCK	DRWN	DATE
△					
△					
△					
△					
△					

TYPE				SHA 26 (i = 2 ~ 2.8)				DWG. NAME				DIMENSION			
APPROV	CHECK	DESIGN	DRAWN	THIRD ANGLE PROJECTION	SCALE	1	8	DATE	1999.2.10						
L.H.Y	M.B.UW.D.K			REF DWG NO.											
HYOSUNG CORPORATION				DWG NO.	S K E N 5 1 3				H 50						