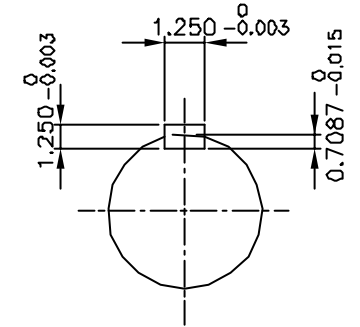
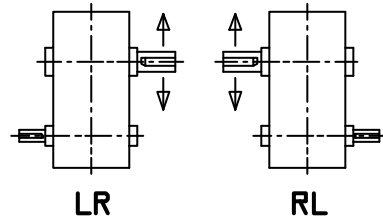


INPUT SHAFT



OUTPUT SHAFT



**SHAFT ARRANGEMENT
& DIRECTION of ROTATION**

REV	DESCRIPTION	APPR	CHK	DRWN	DATE
△					
△					
△					
△					
△					

TYPE		SHA 26 (i = 3.1 ~ 4.5)			DWG. NAME			DIMENSION		
APPROV	CHECK	DESIGN	DRAWN	THIRD ANGLE PROJECTION	SCALE	1	8	DATE	1999.2.10	
L.H.Y	M.B.U.W.D.K			REF DWG NO.						
HYDSUNG CORPORATION				DWG NO.	S K E N 5 1 4 H 5 0					