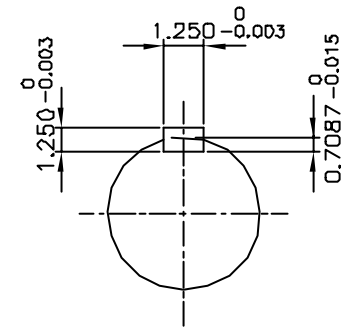
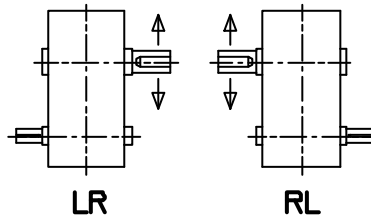


INPUT SHAFT



OUTPUT SHAFT



**SHAFT ARRANGEMENT
& DIRECTION of ROTATION**

REV	DESCRIPTION	APPR	CHCK	DRWN	DATE
△					
△					
△					
△					

TYPE SHA 26 (i = 5 ~ 6.3)				DWG. NAME DIMENSION			
APPROV	CHECK	DESIGN	DRAWN	THIRD ANGLE PROJECTION	SCALE 1/8	DATE 1999.2.10	
L.H.Y	M.B.UW.D.K			REF DWG No.			
HYOSUNG CORPORATION				DWG NO.	S K E N 5 1 5 H50		