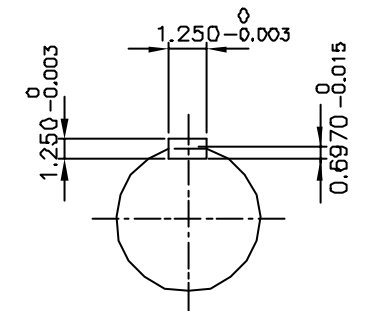
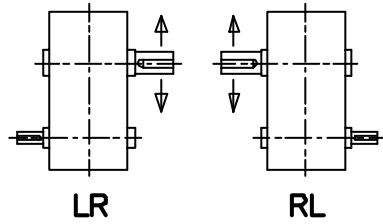


**INPUT SHAFT**



**OUTPUT SHAFT**



**SHAFT ARRANGEMENT & DIRECTION of ROTATION**

REV	DESCRIPTION	APPR	CHK	DRWN	DATE
△					
△					
△					
△					
△					

TYPE		<b>SHA 32</b> (i = 3.15 ~ 4.5)		DWG. NAME		<b>DIMENSION</b>	
APPROV	CHECK	DESIGN	DRAWN	THIRD ANGLE PROJECTION	SCALE	1/10	DATE 1999.2.10
L.H.Y	M.B.UW.D.K			REF DWG NO.			
HYOSUNG CORPORATION				DWG NO.	<b>S K E N 5 1 7</b> <b>H 5 0</b>		