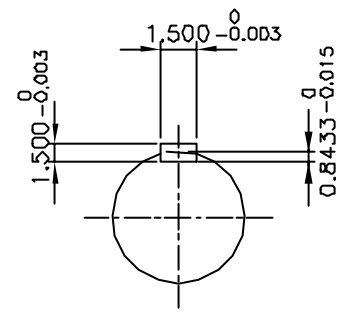
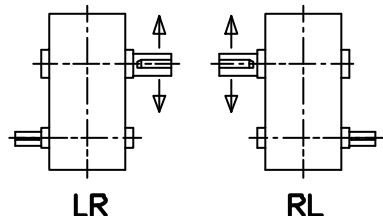


**INPUT SHAFT**



**OUTPUT SHAFT**



**SHAFT ARRANGEMENT  
& DIRECTION of ROTATION**

REV	DESCRIPTION	APPR	CHK	DRWN	DATE
△					
△					
△					
△					

TYPE <b>SHA 38</b> (i = 3.15 ~ 4.5)				DWG. NAME <b>DIMENSION</b>		
APPROV	CHECK	DESIGN	DRAWN	THIRD ANGLE PROJECTION	SCALE 1/12	DATE 1999.2.11
L.H.Y	M.B.	U.W.	D.K	REF DWG NO.		
HYOSUNG CORPORATION				DWG NO.	<b>S K E N 5 2 0</b> <b>H 5 0</b>	