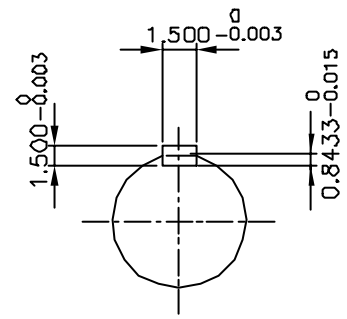
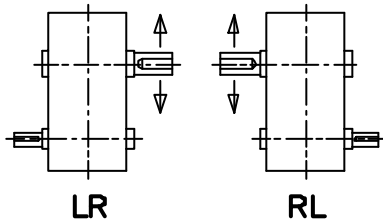


INPUT SHAFT



OUTPUT SHAFT



**SHAFT ARRANGEMENT
& DIRECTION of ROTATION**

| REV | DESCRIPTION | APPR | CHCK | DRWN | DATE |
|-----|-------------|------|------|------|------|
| △ | | | | | |
| △ | | | | | |
| △ | | | | | |
| △ | | | | | |

| | | | | | | | | | | |
|---------------------|------------|--------------------------------|-------|------------------------|--------------------------|---|----|------------------|-----------|--|
| TYPE | | SHA 38 (i = 5 ~ 6.3) | | | DWG. NAME | | | DIMENSION | | |
| APPROV | CHECK | DESIGN | DRAWN | THIRD ANGLE PROJECTION | SCALE | 1 | 12 | DATE | 1999.2.11 | |
| L.H.Y | M.B.UW.D.K | | | REF DWG NO. | | | | | | |
| HYOSUNG CORPORATION | | | | DWG NO. | S K E N 5 2 1 HSO | | | | | |