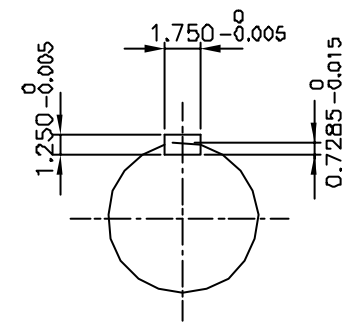
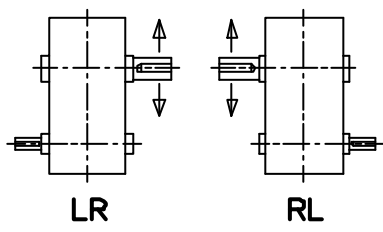


INPUT SHAFT



OUTPUT SHAFT



SHAFT ARRANGEMENT & DIRECTION of ROTATION

REV	DESCRIPTION	APPR	CHCK	DRWN	DATE
△					
△					
△					
△					
△					

TYPE		SHA 45 (i = 2 ~ 2.8)			DWG. NAME			DIMENSION		
APPROV	CHECK	DESIGN	DRAWN	THIRD ANGLE PROJECTION	SCALE	1/12	DATE	1999.2.11		
L.H.Y	M.B.U.W.D.K			REF DWG NO.						
HYOSUNG CORPORATION				DWG NO.	S K E N 5 2 2 H 5 0					