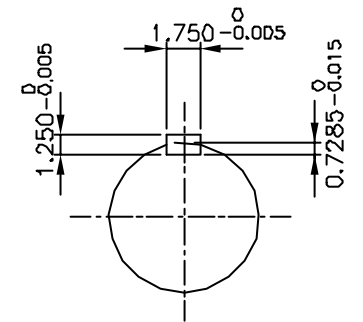
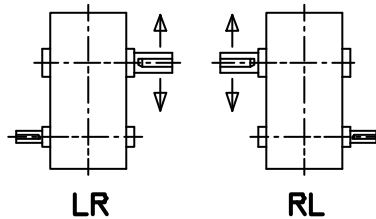


INPUT SHAFT



OUTPUT SHAFT



**SHAFT ARRANGEMENT
& DIRECTION of ROTATION**

REV	DESCRIPTION	APPR	CHCK	DRWN	DATE
△					
△					
△					
△					
△					

TYPE				SHA 45 (i = 5 ~ 6.3)		DWG. NAME			DIMENSION		
APPROV	CHECK	DESIGN	DRAWN	THIRD ANGLE PROJECTION	SCALE	1	13	DATE	1999.2.11		
L.H.Y	M.B.UW.D.K			REF DWG NO.							
HYDSUNG CORPORATION				DWG NO.	S K E N 5 2 4 H S O						