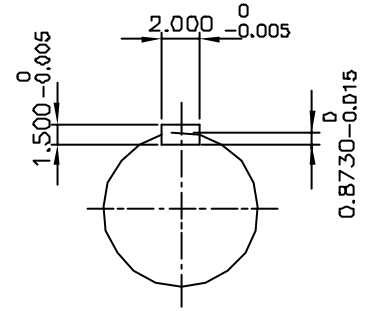
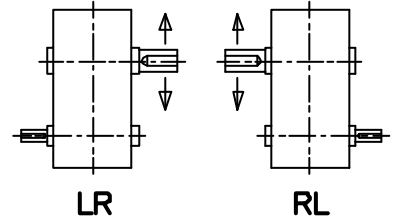


INPUT SHAFT



OUTPUT SHAFT



SHAFT ARRANGEMENT & DIRECTION of ROTATION

REV	DESCRIPTION	APPR	CHK	DRWN	DATE
△					
△					
△					
△					
△					

TYPE		SHA 50 (i = 2 ~ 2.8)		DWG. NAME		DIMENSION	
APPROV	CHECK	DESIGN	DRAWN	THIRD ANGLE PROJECTION	SCALE	1 / 14	DATE 1999.2.11
L.H.Y	M.B.	U.W.	D.K	REF DWG NO.			
HYOSUNG CORPORATION				DWG NO.	S K E N 5 2 5		