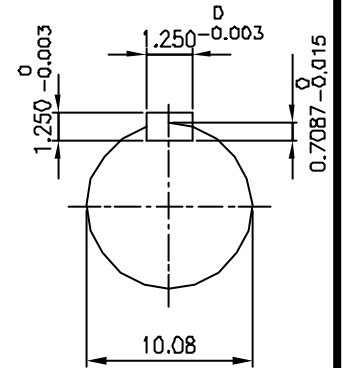
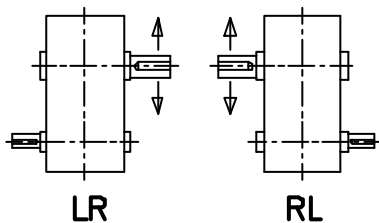


INPUT SHAFT



OUTPUT SHAFT



SHAFT ARRANGEMENT & DIRECTION of ROTATION

| REV | DESCRIPTION | APPR | CHK | DRWN | DATE |
|-----|-------------|------|-----|------|------|
| △ | | | | | |
| △ | | | | | |
| △ | | | | | |
| △ | | | | | |
| △ | | | | | |

| | | | | | | | |
|--|-------|--------|-------|-------------------------------|-------------------------------|---|------------------|
| TYPE SHB 26 (i = 25 ~ 28) | | | | DWG. NAME DIMENSION | | | |
| APPROV | CHECK | DESIGN | DRAWN | THIRD ANGLE PROJECTION | SCALE | 1 | DATE 1998.11.26. |
| L.H.Y | M.B.U | J.J.K | | REF DWG NO. | | | |
| HYOSUNG CORPORATION | | | | DWG NO. | S K E N 5 3 6 5 | | |