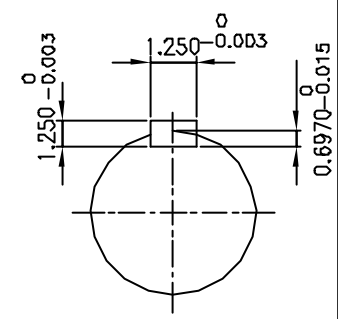
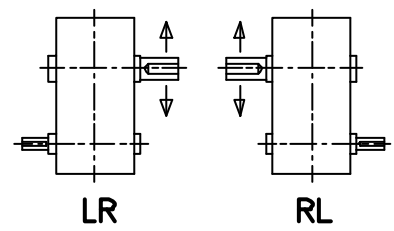


**INPUT SHAFT**



**OUTPUT SHAFT**



**LR RL**  
**SHAFT ARRANGEMENT & DIRECTION of ROTATION**

REV	DESCRIPTION	APPR	CHK	DRWN	DATE
△					
△					
△					
△					
△					

TYPE				DWG. NAME			
<b>SHB 32</b> (i = 12.5 ~ 22.4)				<b>DIMENSION</b>			
APPROV	CHECK	DESIGN	DRAWN	THIRD ANGLE PROJECTION	SCALE	1/9	DATE 1998.11.26.
L.H.Y	M.B.U	J.J.K		REF DWG NO.			
HYOSUNG CORPORATION				DWG NO.	<b>S K E N 5 3 8</b> <b>H 5 0</b>		