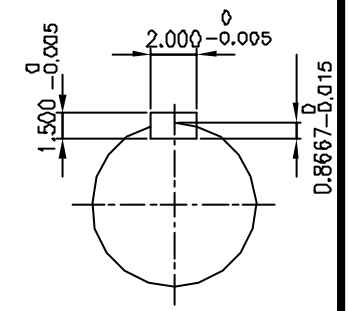
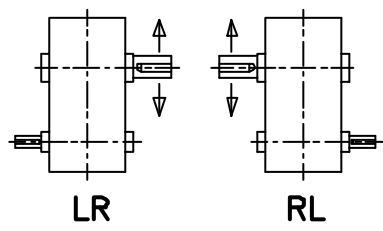


INPUT SHAFT



OUTPUT SHAFT



SHAFT ARRANGEMENT & DIRECTION of ROTATION

REV	DESCRIPTION	APPR	CHK	DRWN	DATE
△					
△					
△					
△					
△					

TYPE SHB 50 (i = 12.5 ~ 22.4)				DWG. NAME DIMENSION		
APPROV	CHECK	DESIGN	DRAWN	THIRD ANGLE PROJECTION	SCALE 1/14	DATE 1998.11.26.
L.H.Y	M.B.U	J.J.K		REF DWG NO.		
HYOSUNG CORPORATION				DWG NO.	S K E N 5 4 7 H 5 0	