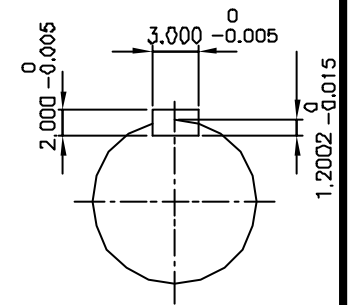
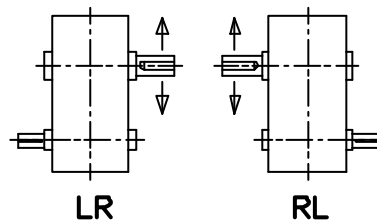


INPUT SHAFT



OUTPUT SHAFT



SHAFT ARRANGEMENT & DIRECTION of ROTATION

\* Shaft diameters under 3.000 : +0.000, -0.0005  
 \* Shaft diameters 3.000 and over : +0.000, -0.001

REV	DESCRIPTION	APPR	CHCK	DRWN	DATE
△					
△					
△					
△					
△					

TYPE				DWG. NAME			
SHB 66 (i = 7.1 ~ 11.2)				DIMENSION			
APPROV	CHECK	DESIGN	DRAWN	THIRD ANGLE PROJECTION	SCALE	1/18	DATE 1998.11.26.
L.H.Y	M.B.U	J.J.K		REF DWG NO.			
HYOSUNG CORPORATION				DWG NO.	SKEN 555 ISO		