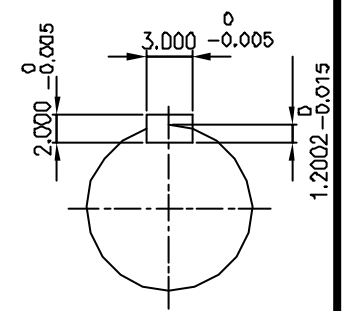
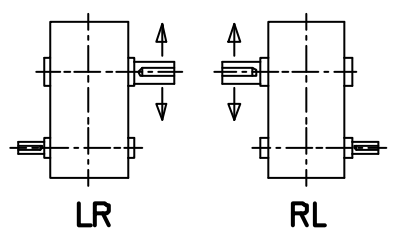


**INPUT SHAFT**



**OUTPUT SHAFT**



**SHAFT ARRANGEMENT & DIRECTION of ROTATION**

REV	DESCRIPTION	APPR	CHK	DRWN	DATE
△					
△					
△					
△					
△					

TYPE <b>SHB 66</b> ( $i = 12.5 \sim 22.4$ )				DWG. NAME <b>DIMENSION</b>		
APPROV	CHECK	DESIGN	DRAWN	THIRD ANGLE PROJECTION	SCALE 1/18	DATE 1998.11.26.
L.H.Y	M.B.U	J.J.K		REF DWG NO.		
HYOSUNG CORPORATION				DWG NO.	<b>S K E N 5 5 6 H 5 0</b>	