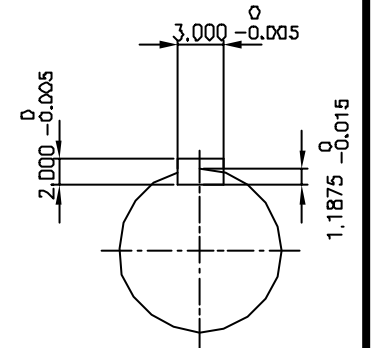
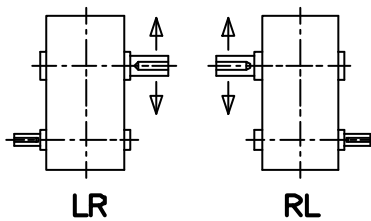


**INPUT SHAFT**



**OUTPUT SHAFT**



**SHAFT ARRANGEMENT & DIRECTION of ROTATION**

REV	DESCRIPTION	APPR	CHCK	DRWN	DATE
△					
△					
△					
△					
△					

TYPE <b>SHB 71</b> (i = 7.1 ~ 11.2)				DWG. NAME <b>DIMENSION</b>		
APPROV	CHECK	DESIGN	DRAWN	THIRD ANGLE PROJECTION	SCALE 1/20	DATE 1998.11.28.
L.H.Y	M.B.U	J.J.K		REF DWG NO.		
HYOSUNG CORPORATION				DWG NO.	<b>SKEN558</b> <b>HS</b>	