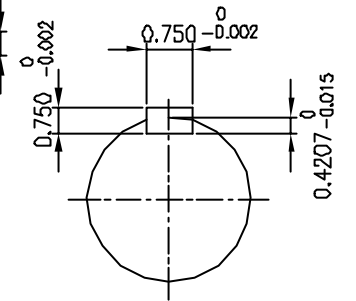
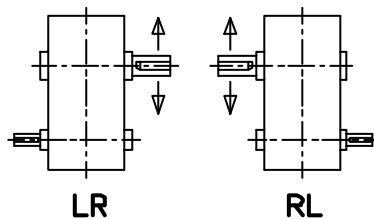


**INPUT SHAFT**



**OUTPUT SHAFT**



**SHAFT ARRANGEMENT & DIRECTION of ROTATION**

REV	DESCRIPTION	APPR	CHCK	DRWN	DATE
△					
△					
△					
△					
△					

TYPE				DWG. NAME			
<b>SHC 18</b> (i = 28 ~ 63)				<b>DIMENSION</b>			
APPROV	CHECK	DESIGN	DRAWN	THIRD ANGLE PROJECTION	SCALE	19	DATE 1998.11.27.
L.H.Y	M.B.U.K.Y.S			REF DWG NO.			
HYOSUNG INDUSTRIES CO., LTD.				DWG NO.	<b>S K E N 5 6 1</b> H 5 0		