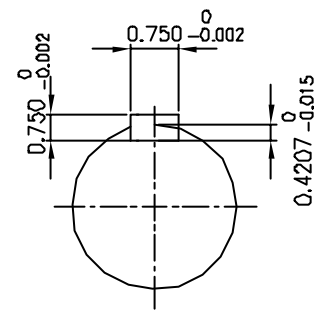
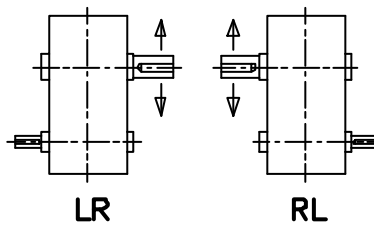


**INPUT SHAFT**



**OUTPUT SHAFT**



**SHAFT ARRANGEMENT & DIRECTION of ROTATION**

REV	DESCRIPTION	APPR	CHK	DRWN	DATE
△					
△					
△					
△					
△					

TYPE <b>SHC 18</b> (i = 71 ~ 112)				DWG. NAME <b>DIMENSION</b>			
APPRDV	CHECK	DESIGN	DRAWN	THIRD ANGLE PROJECTION	SCALE	19	100
L.H.Y	M.B.U	K.Y.S		REF DWG NO.			DATE 1998.11.27.
HYOSUNG INDUSTRIES CO.,LTD.				DWG NO.	<b>S K E N 5 6 2</b> H 5 0		