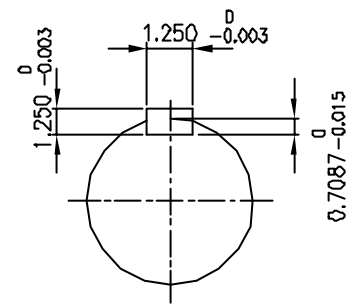
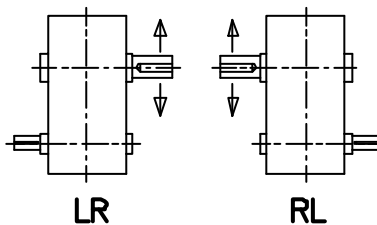


**INPUT SHAFT**



**OUTPUT SHAFT**



**SHAFT ARRANGEMENT & DIRECTION of ROTATION**

REV	DESCRIPTION	APPR	CHCK	DRWN	DATE
△					
△					
△					
△					
△					

TYPE		<b>SHC 26</b> { i = 71 ~ 112 }		DWG. NAME		<b>DIMENSION</b>	
APPROV	CHECK	DESIGN	DRAWN	THIRD ANGLE PROJECTION	SCALE 1:4	DATE 1998.11.27.	
L.H.Y	M.B.U	K.Y.S		REF DWG NO.			
HYOSUNG INDUSTRIES CO., LTD.				DWG NO.	<b>SKEN566</b> H 50		