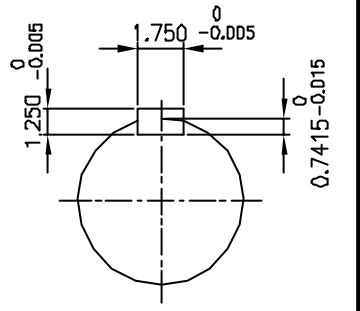
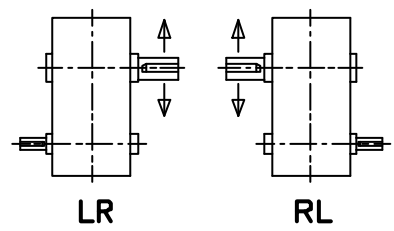


INPUT SHAFT



OUTPUT SHAFT



SHAFT ARRANGEMENT & DIRECTION of ROTATION

REV	DESCRIPTION	APPR	CHK	DRWN	DATE
△					
△					
△					
△					
△					

TYPE SHC 38 { i = 71 ~ 112 }				DWG. NAME DIMENSION			
APPROV	CHECK	DESIGN	DRAWN	THIRD ANGLE PROJECTION	SCALE	9	100
L.H.Y	M.B.U.K.Y.S			DATE	1998.11.27.		
HYOSUNG INDUSTRIES CO.,LTD.				REF DWG NO.			
DWG NO. S K E N 5 7 0				H S D			