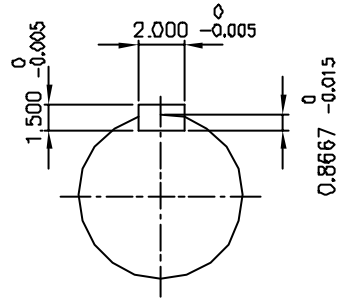
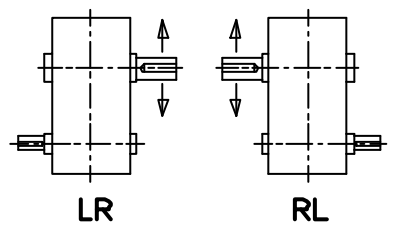


INPUT SHAFT



OUTPUT SHAFT



SHAFT ARRANGEMENT & DIRECTION of ROTATION

| REV | DESCRIPTION | APPR | CHCK | DRWN | DATE |
|-----|-------------|------|------|------|------|
| △ | | | | | |
| △ | | | | | |
| △ | | | | | |
| △ | | | | | |
| △ | | | | | |

| | | | | | | | |
|--|-------|--------|-------|-------------------------------|----------------------------|-----|------------------|
| TYPE SHC 50 (i = 28 ~ 63) | | | | DWG. NAME DIMENSION | | | |
| APPROV | CHECK | DESIGN | DRAWN | THIRD ANGLE PROJECTION | SCALE 7 | 100 | DATE 1998.11.27. |
| L.H.Y | M.B.U | K.Y.S | | REF DWG NO. | | | |
| HYOSUNG INDUSTRIES CO.,LTD. | | | | DWG NO. | S K E N 5 7 3 H 5 0 | | |