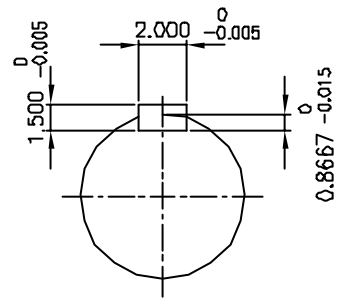
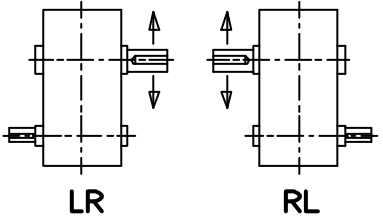


INPUT SHAFT



OUTPUT SHAFT



SHAFT ARRANGEMENT & DIRECTION of ROTATION

REV	DESCRIPTION	APPR	CHCK	DRWN	DATE
△					
△					
△					
△					
△					

TYPE SHC 50 (i = 71 ~ 112)				DWG. NAME DIMENSION			
APPROV	CHECK	DESIGN	DRAWN	THIRD ANGLE PROJECTION	SCALE 7/100	DATE 1998.11.27.	
L.H.Y	M.B.	L.K.Y.S		REF DWG NO.			
HYOSUNG INDUSTRIES CO., LTD.				DWG NO.	S K E N 5 7 4 H 5 0		