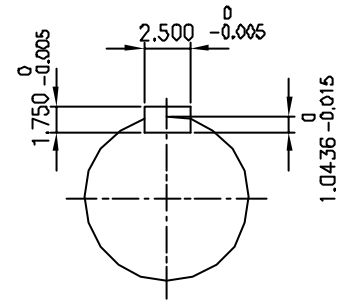
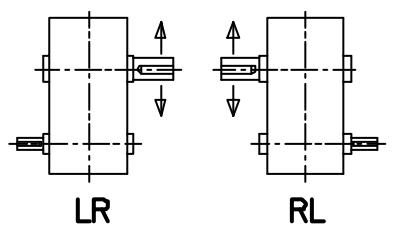


INPUT SHAFT



OUTPUT SHAFT



SHAFT ARRANGEMENT & DIRECTION of ROTATION

REV	DESCRIPTION	APPR	CHK	DRWN	DATE
△					
△					
△					
△					
△					

TYPE				DWG. NAME			
SHC 56 (i = 71 ~ 112)				DIMENSION			
APPROV	CHECK	DESIGN	DRAWN	THIRD ANGLE PROJECTION	SCALE	1/10	DATE 1998.11.27.
L.H.Y	M.B.U.K.Y.S			REF DWG NO.			
HYOSUNG INDUSTRIES CO., LTD.				DWG NO.	S K E N 5 7 6 H 5 0		