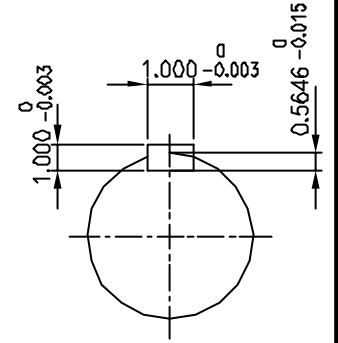
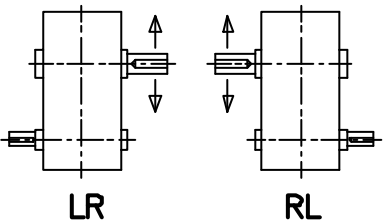


INPUT SHAFT



OUTPUT SHAFT



SHAFT ARRANGEMENT & DIRECTION of ROTATION

REV	DESCRIPTION	APPR	CHK	DRWN	DATE
△					
△					
△					
△					
△					

TYPE		SHD 22 (i = 315 ~ 500)				DWG. NAME		DIMENSION	
APPROV	CHECK	DESIGN	DRAWN	THIRD ANGLE PROJECTION	SCALE	1/6	DATE 1998.11.26.		
L.H.Y	M.B.U	K.Y.S		REF DWG NO.					
HYOSUNG INDUSTRIES CO.,LTD.				DWG NO.	S K E N 5 8 4 H 5 0				