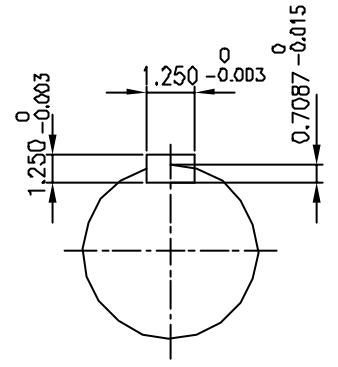
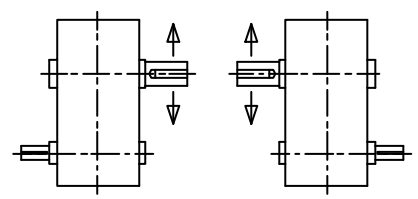


**INPUT SHAFT**



**OUTPUT SHAFT**



**LR                      RL**  
**SHAFT ARRANGEMENT &**  
**DIRECTION of ROTATION**

REV	DESCRIPTION	APPR	CHCK	DRWN	DATE
△					
△					
△					
△					
△					

TYPE <b>SHD 26</b> (i = 112 ~ 280)				DWG. NAME <b>DIMENSION</b>		
APPROV	CHECK	DESIGN	DRAWN	THIRD ANGLE PROJECTION	SCALE 1/7	DATE 1998.11.26.
L.H.Y	M.B.U	K.Y.S		REF DWG NO.		
HYOSUNG INDUSTRIES CO.,LTD.				DWG NO.	<b>SKEN 585</b> H 5 0	