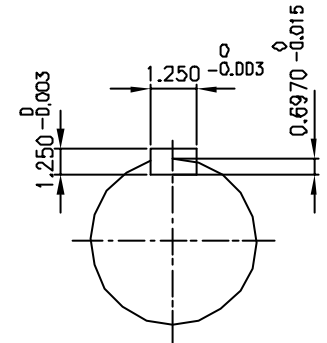
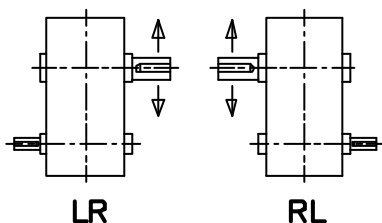


INPUT SHAFT



OUTPUT SHAFT



SHAFT ARRANGEMENT & DIRECTION of ROTATION

TYPE				DWG. NAME			
SHD 32 (i = 315 ~ 500)				DIMENSION			
APPROV	CHECK	DESIGN	DRAWN	THIRD ANGLE PROJECTION	SCALE	1	8 DATE 1998.11.26.
L.H.Y	M.B.U	K.Y.S		REF DWG NO.			
HYOSUNG INDUSTRIES CO.,LTD.				DWG NO.	S K E N 5 8 8 H 5 0		

REV	DESCRIPTION	APPR	CHK	DRWN	DATE
△					
△					
△					
△					
△					