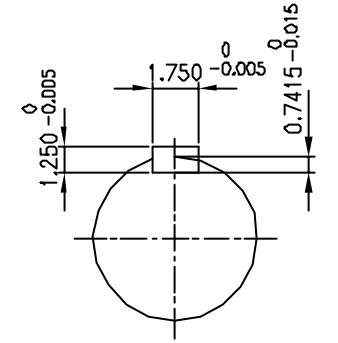
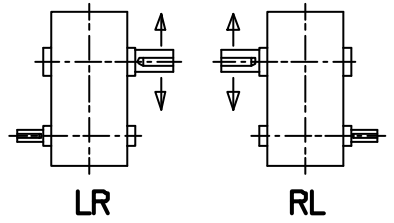


**INPUT SHAFT**



**OUTPUT SHAFT**



**SHAFT ARRANGEMENT & DIRECTION of ROTATION**

REV	DESCRIPTION	APPR	CHK	DRWN	DATE
△					
△					
△					
△					

TYPE <b>SHD 38</b> ( $i = 112 \sim 280$ )				DWG. NAME <b>DIMENSION</b>			
APPROV	CHECK	DESIGN	DRAWN	THIRD ANGLE PROJECTION	SCALE 1/10	DATE 1998.11.26.	
L.H.Y	M.B.U	K.Y.S		REF DWG NO.			
HYOSUNG INDUSTRIES CO.,LTD.				DWG NO.	<b>S K E N 5 8 9</b> H 5 0		