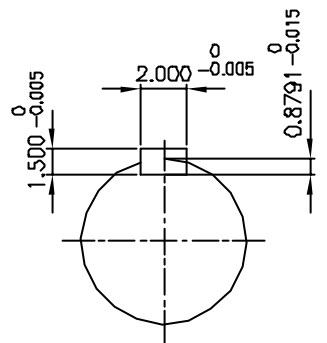
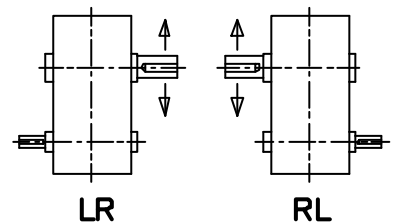


**INPUT SHAFT**



**OUTPUT SHAFT**



**SHAFT ARRANGEMENT & DIRECTION of ROTATION**

| REV | DESCRIPTION | APPR | CHK | DRWN | DATE |
|-----|-------------|------|-----|------|------|
| △   |             |      |     |      |      |
| △   |             |      |     |      |      |
| △   |             |      |     |      |      |
| △   |             |      |     |      |      |
| △   |             |      |     |      |      |

|                             |       |                                  |       |                        |                      |   |       |                  |             |
|-----------------------------|-------|----------------------------------|-------|------------------------|----------------------|---|-------|------------------|-------------|
| TYPE                        |       | <b>SHD 45</b><br>(i = 112 ~ 280) |       | DWG. NAME              |                      |   |       | <b>DIMENSION</b> |             |
| APPROV                      | CHECK | DESIGN                           | DRAWN | THIRD ANGLE PROJECTION | SCALE                | 1 | 12    | DATE             | 1998.11.26. |
| L.H.Y                       | M.B.U | K.Y.S                            |       | REF DWG NO.            |                      |   |       |                  |             |
| HYOSUNG INDUSTRIES CO.,LTD. |       |                                  |       | DWG NO.                | <b>S K E N 5 9 1</b> |   | H 5 0 |                  |             |