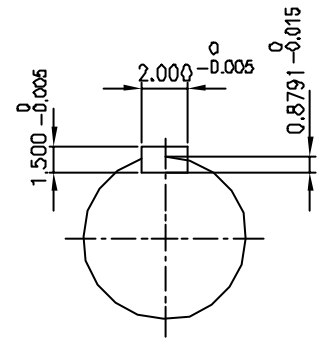
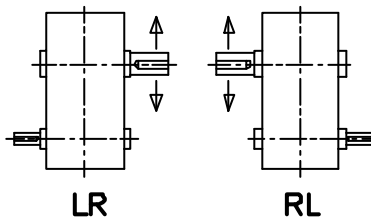


**INPUT SHAFT**



**OUTPUT SHAFT**



**SHAFT ARRANGEMENT & DIRECTION of ROTATION**

| REV | DESCRIPTION | APPR | CHCK | DRWN | DATE |
|-----|-------------|------|------|------|------|
| △   |             |      |      |      |      |
| △   |             |      |      |      |      |
| △   |             |      |      |      |      |
| △   |             |      |      |      |      |
| △   |             |      |      |      |      |

|                                  |       |        |       |                        |                            |      |                  |
|----------------------------------|-------|--------|-------|------------------------|----------------------------|------|------------------|
| TYPE                             |       |        |       | DWG. NAME              |                            |      |                  |
| <b>SHD 45</b><br>(i = 315 ~ 500) |       |        |       | <b>DIMENSION</b>       |                            |      |                  |
| APPROV                           | CHECK | DESIGN | DRAWN | THIRD ANGLE PROJECTION | SCALE                      | 1/12 | DATE 1998.11.26. |
| L.H.Y                            | M.B.U | K.Y.S  |       | REF DWG NO.            |                            |      |                  |
| HYOSUNG INDUSTRIES CO.,LTD.      |       |        |       | DWG NO.                | <b>S K E N 5 9 2</b> H 5 0 |      |                  |