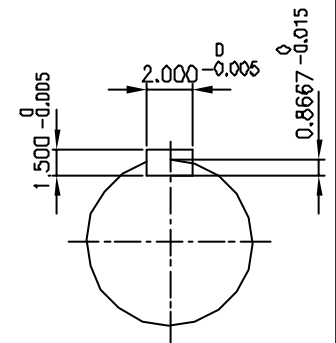
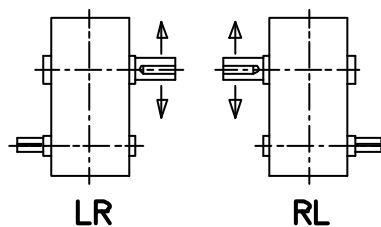


INPUT SHAFT



OUTPUT SHAFT



SHAFT ARRANGEMENT & DIRECTION of ROTATION

REV	DESCRIPTION	APPR	CHK	DRWN	DATE
△					
△					
△					
△					
△					

TYPE		SHD 50 (i = 112 ~ 280)		DWG. NAME			DIMENSION		
APPRV	CHECK	DESIGN	DRAWN	THIRD ANGLE PROJECTION	SCALE	1	13	DATE	1998.11.26.
L.H.Y	M.B.U	K.Y.S		REF DWG NO.					
HYOSUNG INDUSTRIES CO.,LTD.				DWG NO.	SKEN593			H 5 0	